



INSTALLATION

RIGHT ANGLE MOUNTS

4511

PARTS INCLUDED

- 2 Short Right Angle Mounts
- 1 Installation Instructions

Please read and understand entire instructions before starting installation.

THANK YOU FOR CHOOSING KÜRYAKYN!

IN ORDER TO PROTECT YOU AND OTHERS FROM POSSIBLE INJURY AND/OR PROPERTY DAMAGE OR LOSS, PLEASE PAY CLOSE ATTENTION TO ALL INSTRUCTIONS, WARNINGS, CAUTIONS AND NOTICES REGARDING THE USE AND CARE OF THIS PRODUCT.

WARNING

THIS INDICATION ALERTS YOU TO THE FACT THAT IGNORING THE CONTENTS DESCRIBED HEREIN CAN RESULT IN POTENTIAL DEATH OR SERIOUS INJURY.

NOTICE

This indication alerts you to the fact that ignoring the contents described herein may negatively affect product performance and functionality.

NOTICE

IF INSTALLING THIS PRODUCT FOR ANOTHER PARTY, PLEASE MAKE SURE THEY RECEIVE THIS COPY OF THE INSTALLATION INSTRUCTIONS SO THEY ARE AWARE OF THE IMPORTANT INFORMATION CONTAINED IN THEM.

TOOLS SUGGESTED

Set of Hex Wrenches, Combination Wrenches or Socket Set and Ratchet.

STRICTLY OBSERVE THE FOLLOWING GUIDELINES IN ORDER TO USE THE PRODUCT PROPERLY AND AVOID POTENTIALLY DANGEROUS ACCIDENTS.

STEP 1

Read and understand all steps in the instructions before starting the installation. Park the motorcycle on a hard, level surface and turn off the ignition. Let cool.

NOTE: These Right Angle Mounts assemblies require the separate purchase of the appropriate Kuryakyn Magnum Quick Clamps and male mount (H-D style) pegs for your application.

WARNING

YOU WILL BE WORKING AROUND THE ENGINE AND EXHAUST SYSTEM DURING INSTALLATION. ENSURE THAT THE ENGINE AND EXHAUST SYSTEM HAVE FULLY COOLED TO PREVENT INJURY.

NOTICE

Determine the mounting location and orientation of the Magnum Quick Clamp before fully tightening the fasteners. The clamp may leave marks when tightened down.

-cont.-

4511-23MC-0113



CUSTOMER SERVICE

877.370.3604 (toll free)

INSTALLATION QUESTIONS

techsupport@kuryakyn.com
or call 715.247.2983

LIMITED WARRANTY

Kuryakyn warrants that any Kuryakyn products sold hereunder, shall be free of defects in materials and workmanship for a period of one (1) year from the date of purchase by the consumer excepting the following provisions:

- Kuryakyn shall have no obligation in the event the customer is unable to provide a receipt showing the date the customer purchased the product(s).
- The product must be properly installed, maintained and operated under normal conditions.
- Kuryakyn makes no warranty, expressed or implied, with respect to any gold plated products.
- Kuryakyn shall not be liable for any consequential and incidental damages, including labor and paint, resulting from failure of a Kuryakyn product, failure to deliver, delay in delivery, delivery in nonconforming condition, or for any breach of contract or duty between Kuryakyn and a customer.
- Kuryakyn products are often intended for use in specific applications. Kuryakyn makes no warranty if a Kuryakyn product is used in applications other than intended.
- Kuryakyn electrical products are warranted for one (1) year from the date of purchase by the consumer. L.E.D.'S contained in components of Kuryakyn products will be warranted for defects in materials and workmanship for 3 years from the date of purchase where as all other components shall be warranted for one(1) year. This includes, but is not limited to; control modules, wiring, chrome & other components.
- Kuryakyn makes no warranty of any kind in regard to other manufacturer's products distributed by Kuryakyn. Kuryakyn will pass on all warranties made by the manufacturer and where possible, will expedite the claim on behalf of the customer, but ultimately, responsibility for disposition of the warranty claim lies with the manufacturer.

ABOUT OUR CATALOG

For purchasing Kuryakyn® products, you can receive a complete catalog free of charge. Send the Proof-of-Purchase below with your address to: Kuryakyn, P.O. Box 339, Somerset, WI 54025. Please indicate either Accessories Catalog for Harley-Davidson® or GL & Metric Cruisers.

Be sure to ask your local dealer about other Kuryakyn® products, the motorcycle parts and accessories designed for riders by riders.

©2005 Kuryakyn USA® All Rights reserved.



kuryakyn.com

STEP 2 Referring to FIG.1, remove the 1/2" fastener, internal tooth lock washer, and lock plate from the right angle mount. Set these items aside for now, they will be used to install the mount.

STEP 3 Place the Magnum Quick Clamp (purchased separately) around the tube that you choose as your mounting point. Close the clamp, making sure the spacer washer is between the clamp halves as shown in FIG 1. Insert the bolt, with the internal tooth lock washer, that was removed in STEP 2. FIG 1

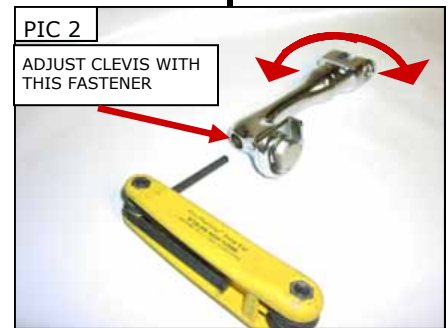
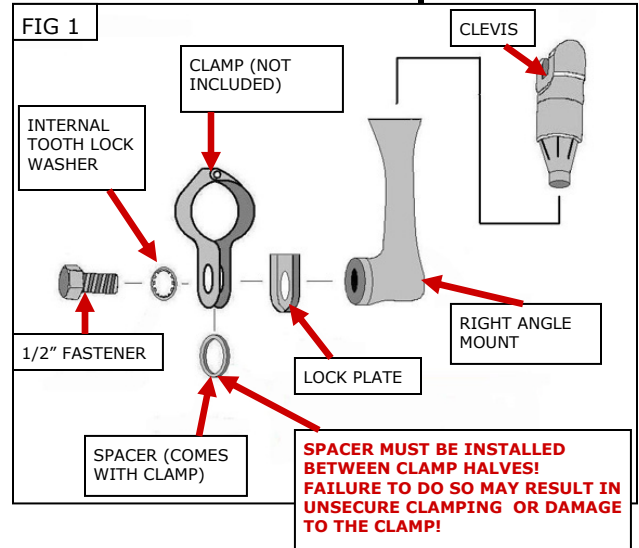
NOTE: Spacer washer must be installed between clamp halves! Failure to do so may result in unsecured clamping or damage to the clamp.

STEP 4 Place the lock plate on the other side of the clamp so that the smooth side is facing the clamp and the splines are facing outwards.

STEP 5 Place the right angle mount on the clamp and secure with the 1/2" fastener. Do not fully tighten them at this point.

STEP 6 Remove the 3/8"-16 x 1" Socket Head Cap Screw and D-washer from each clevis, and install the male mount footpeg of your choice. The D-washer is wedged between the footpeg mount and one inner side of the clevis to provide tension to keep the footpeg folded in the up position. Reinstall the 3/8"-16 Socket Head and tighten until the desired tension on the footpeg is achieved. Sit on the bike and determine the desired arm/footpeg orientation, adjust as needed and tighten the bolt.

STEP 7 "Fine tune" the position of each right angle mount assembly. Be sure they are at equal heights and are symmetrical. Double check for adequate accessibility to the foot controls and clearance with the front wheel — take into account front suspension travel. Securely tighten each assembly. They cannot be rotated on the frame with reasonable foot pressure. The angle of the peg may be adjusted by loosening the screw in the right angle mount that secures the clevis. PIC 2



NOTICE Check clearance for proper operation of controls. Highway Pegs provide additional positions to place your feet/new-riding positions. Confirm clearance and relation of the position of your feet to the shifter and the brake pedals.

STEP 8 Repeat STEP 2 through STEP 7 for the opposite side.

WARNING CHECK TO MAKE SURE THAT THERE IS PROPER CLEARANCE WHEN CORNERING. LOSS OF CONTROL OF THE MOTORCYCLE AND SERIOUS INJURY MAY OCCUR IF THE PEG/ARM IS NOT POSITIONED PROPERLY. REPOSITION THE RIGHT ANGLE MOUNT IF NECESSARY SO THAT THERE IS ADEQUATE CORNERING CLEARANCE.

WARNING FOOTPEGS MUST BE INSTALLED SO THEY WILL FOLD UPWARD AND REARWARD IF HIT BY ANY OBJECT. FAILURE TO ADJUST THE FOOTPEGS TO OPERATE IN THIS MANNER COULD RESULT IN SERIOUS INJURY OR DEATH.

STEP 9 Tighten all fasteners.

NOTICE It is the installer's responsibility to ensure that all of the fasteners (including pre-assembled) are tightened before operation of the motorcycle. Küryakyn will not provide warranty coverage on products or components lost due to improper installation or lack of maintenance. Periodic inspection and maintenance are required on all fasteners.