

Items Supplied >

- 1 – FRONT MUFFLER ASSEMBLY
- 1 – REAR MUFFLER ASSEMBLY

Application(s) >

HARLEY:	
HERITAGE SOFTAIL	2006
HERITAGE SOFTAIL CLASSIC	00-06
SOFTAIL STANDARD	00-06
NIGHT TRAIN	00-06
SPRINGER SOFTAIL	00-06

Instruction Manual >

6004

Page 1 of 2

Read all instructions carefully and completely before installing your new slip-on mufflers

1. Unbolt the headpipe support clamp from the support bracket located midway down the rear headpipe and save the hardware for reinstallation.
2. Loosen all heatshield clamps for clearance but do not remove the heatshields.
3. Loosen both headpipes at the cylinders. Remove and save the mounting bolts that secure the mufflers to the mounting bracket/crossover tube.
4. Loosen the stock mufflers clamps then rotate the headpipes/mufflers out until the crossover slips disengage. Remove the stock mufflers from the headpipes. Save the stock clamps because they will be reused.
5. Remove gaskets from stock muffler crossover slips and install them into the supplied slip-on mufflers. If needed, replacement gaskets may be purchased through your dealer (HD Part #65927-00).
6. Slide the stock clamps over the slip-on mufflers and position them as shown in **Figure 1**.
7. Slide the mufflers onto the headpipes (reverse the order of removal) until the mounting holes align and crossover slips engage. Fasten the mufflers using the stock mounting bolts in the same manner as stock but **do not tighten**.

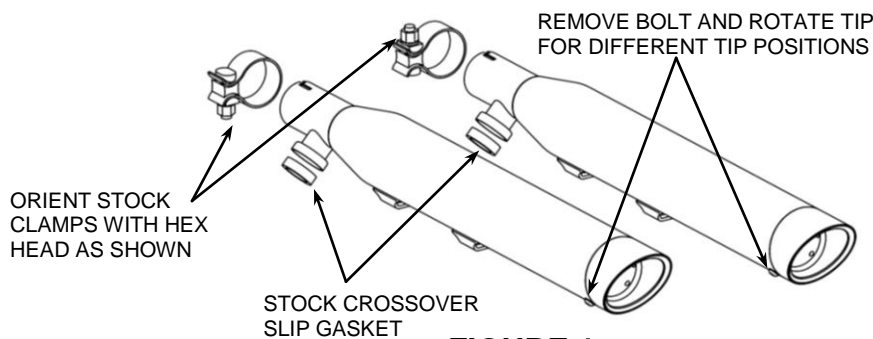


FIGURE 1

POSITION OF MUFFLERS AND MOUNTING BRACKETS SHOWN ABOVE MAY VARY FROM ACTUAL APPLICATION

Continued on Page 2

DISCLAIMER: NOT LEGAL FOR SALE OR USE IN CALIFORNIA ON ANY POLLUTION CONTROLLED MOTOR VEHICLES.

8. Check alignment of front and rear mufflers and make sure they are parallel and crossover slips remain engaged. Tighten mufflers to mounting bracket. Tighten headpipe flange nuts. Tighten muffler clamps. (NOTE: The muffler clamps should be flush with the end of the muffler when tightened. See **Figure 2**. If the muffler clamps are slid forward past the slots on the slip collar the clamps will not tighten the mufflers properly. Also, make sure the clamp spacer is not over the slots. The slots need to be covered by the clamp band so that it seals the slots properly. Rotate the clamp if necessary).
9. Align heatshields and tighten heatshield clamps. Verify that the gap, where the mufflers meet stock heatshields, is similar to the gap the stock mufflers allotted.
10. Reinstall headpipe support clamp and hardware. Tighten to factory specifications.
11. Tighten any remaining loose hardware to factory specifications.
12. NOTE: Remove the exhaust tip bolt to rotate the tip to various positions for different visual effects. See **Figure 1**.
13. **IMPORTANT: Before starting your engine remove all fingerprints from chrome with a quality wax or chrome polish. Failure to do so can cause chrome discoloration. Due to fluctuations in fuel delivery settings, timing, etc., Cobra Engineering does not warrant against chrome discoloration.**

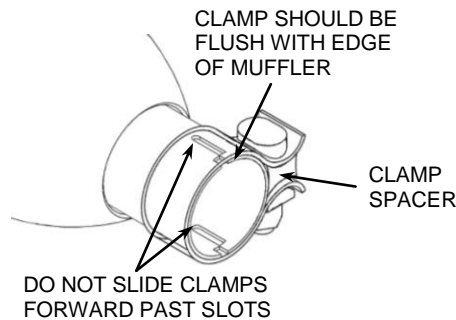


FIGURE 2

REPLACEMENT E-GLASS PACKING AND OPTIONAL 1 $\frac{3}{4}$ " QUIET CORES MAY BE PURCHASED THROUGH YOUR DEALER OR ONLINE AT WWW.COBRAUSA.COM

IMPORTANT: To achieve optimum performance from your new mufflers it is suggested that you install a Cobra Fi2000® Digital Fuel Processor.

DISCLAIMER: NOT LEGAL FOR SALE OR USE IN CALIFORNIA ON ANY POLLUTION CONTROLLED MOTOR VEHICLES.