

**Flexpower® Passive In-Fairing
AM-FM-WB Antenna for
2014-18 Harley Davidson®
Ultra or Streetglide**

#FPA-HCFM14-P

**Installation
and
Instructions**

Product Description

J&M's new Passive FLEXPOWER® hide-a-way AM/FM/WB antenna is THE BEST hide-a-way antenna on the market today, for ALL THREE reception bands of AM, FM and WB, to help you eliminate altogether the rear mounted antenna on your 2014-2018 Harley Ultra or StreetGlide.

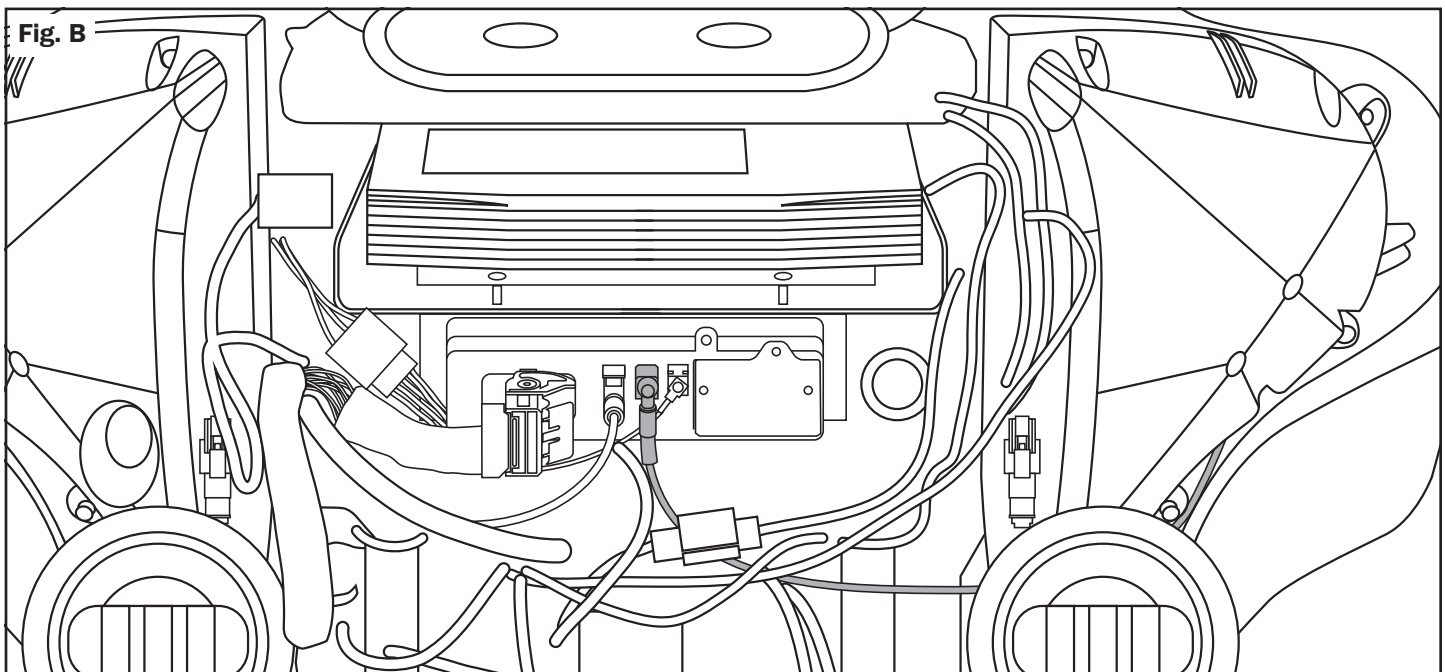
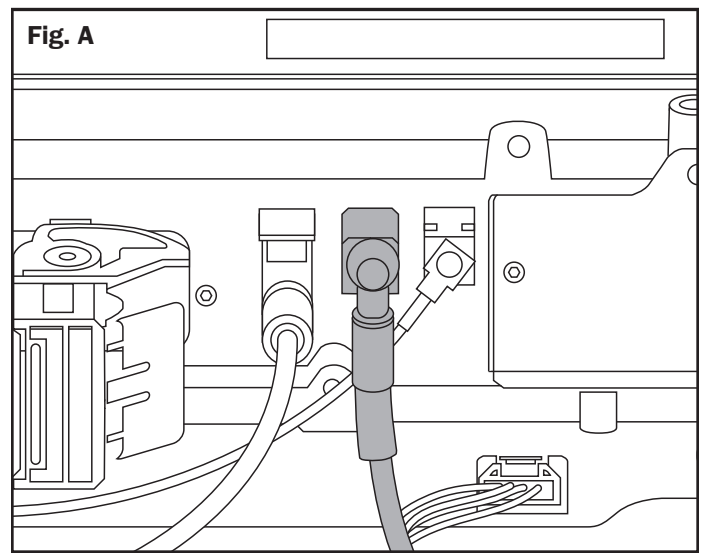
This new passive version (no 12v connection required) provides all of the great reception performance of our original design, but with the correct "FAKRA" style plug on the end of the cable, for direct connection to the 2014 Harley radio (either version).

Over the years we have learned that proper tuning and adequate stinger capture area is far more important to reception quality for an in-fairing (hidden) antenna, then trying to artificially amplify a less than ideal signal.

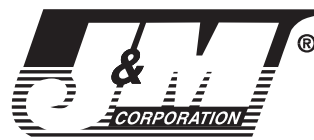
This unique in-fairing antenna is manufactured complete at our shop in Tucson Arizona USA using only high-grade copper coaxial cable & stinger wire, for maximum durability and performance.

Installation Instructions

1. Remove the windshield and outer fairing shell.
2. Unplug your stock antenna cable from the radio and plug the J&M antenna connector into the radio in its place. **(Figure A)**
3. Route the antenna lead-wire upward along the left side of the inner fairing, across the top and into the upper right hand corner of the inner fairing. **(Figure B)**



Thank you for the confidence you have shown by purchasing one of J&M's innovative products. If you have any questions during the installation, or require further assistance, you may call us at 1-800-358-0881 from 8:00 a.m. to 5:00 p.m. Mountain Standard Time, Monday through Friday.



Tucson, Arizona U.S.A.

Tel (800) 358-0881

Website: www.jmcorp.com

E-mail: audio@jmcorp.com

WARRANTY AND REPAIR INFORMATION

TWO YEAR LIMITED WARRANTY In order to facilitate the servicing of this warranty, the Warranty Registration Form should be filled out and returned within 10 days of the date of purchase. However, return of the Warranty Registration Form is not a precondition of this warranty, and this Warranty will be observed by **J&M CORPORATION** whether or not the Warranty Registration Form is returned, on the condition that other satisfactory evidence of the date of the original purchase is provided to **J&M CORPORATION**.

WHO PROVIDES THE WARRANTY? This warranty is provided by **J&M CORPORATION**.

WHO IS PROTECTED? This warranty is extended only to the original owner of this J&M CORPORATION product and may not be transferred or assigned.

WHAT IS COVERED AND HOW LONG? This warranty covers all defects in material or workmanship of our product for a period of 2 years from date of original retail purchase. At its option, **J&M CORPORATION** will repair or replace any defective part(s) or equipment.

The provisions of the warranty shall not apply to any unit which has been subjected to misuse, neglect, incorrect mechanical or electrical installation, unauthorized modifications, accident, nor to units which have been repaired or altered outside of our factory.

PROCEDURE FOR OBTAINING PERFORMANCE OF WARRANTY In the event that the product does not conform to this warranty, the product should be shipped prepaid to the **J&M CORPORATION** service facility. Transportation charges, insurance fees, and labor costs for shipment, removal, or reinstallation of our product are not covered by this warranty. Loss or damage in shipment is the sole responsibility of the freight carrier.

FOR YOUR INFORMATION Repair as provided under this warranty is the exclusive remedy of the consumer. **J&M CORPORATION** shall not be liable for any incidental or consequential damages or for breach of any express or implied warranty on this product. Except to the extent prohibited by applicable law, any implied warranty of merchantability or fitness for a particular purpose on this product is limited in duration to the duration of the warranty. Some states do not allow the exclusion or limitation of incidental or consequential damages, or allow limitations on how long an implied warranty lasts, so the above limitations or exclusion may not apply to you. This warranty gives you specific legal rights which vary from state to state.

J&M CORPORATION reserves the right to make changes in design and to make improvements in its products without the obligation to incorporate the changes or improvements in any of its previously manufactured products.

J&M CORPORATION has not authorized anyone to make representations or warranties other than the warranty contained herein.

The above warranty is effective for all products manufactured after 10/01/86.

NON-WARRANTY REPAIR RATES **J&M CORPORATION** reserves the right to change the labor repair rates without prior notice. At the time of this printing the out-of-warranty repair is \$40 per hour for labor only. However, the customer is advised to verify the current rate when he/she calls customer service to obtain the return authorization number.

FACTORY SERVICE ADDRESS J&M Corporation, 1415 S. Cherry Avenue, Tucson, Arizona, 85713, U.S.A. Tel: 1-800-358-0881 audio@jmc corp.com www.jmc corp.com

CUSTOMER SERVICE NUMBER 1-800-358-0881



WARRANTY REGISTRATION FORM Please fill out this card completely and mail it immediately after purchase. Please be sure that your zip code and serial number (if applicable) are legible. This will help us to serve you better.

(PLEASE PRINT)

Name _____

Address _____

City _____ State _____ Zip _____

Motorcycle Other E-mail _____

Make _____ Model _____ Year _____

Product part number _____

Serial number (if applicable) _____

Date of purchase _____

Name of dealer it was purchased from _____



Mail to:
J&M Corporation
1415 S. Cherry Avenue
Tucson, AZ 85713
U.S.A.