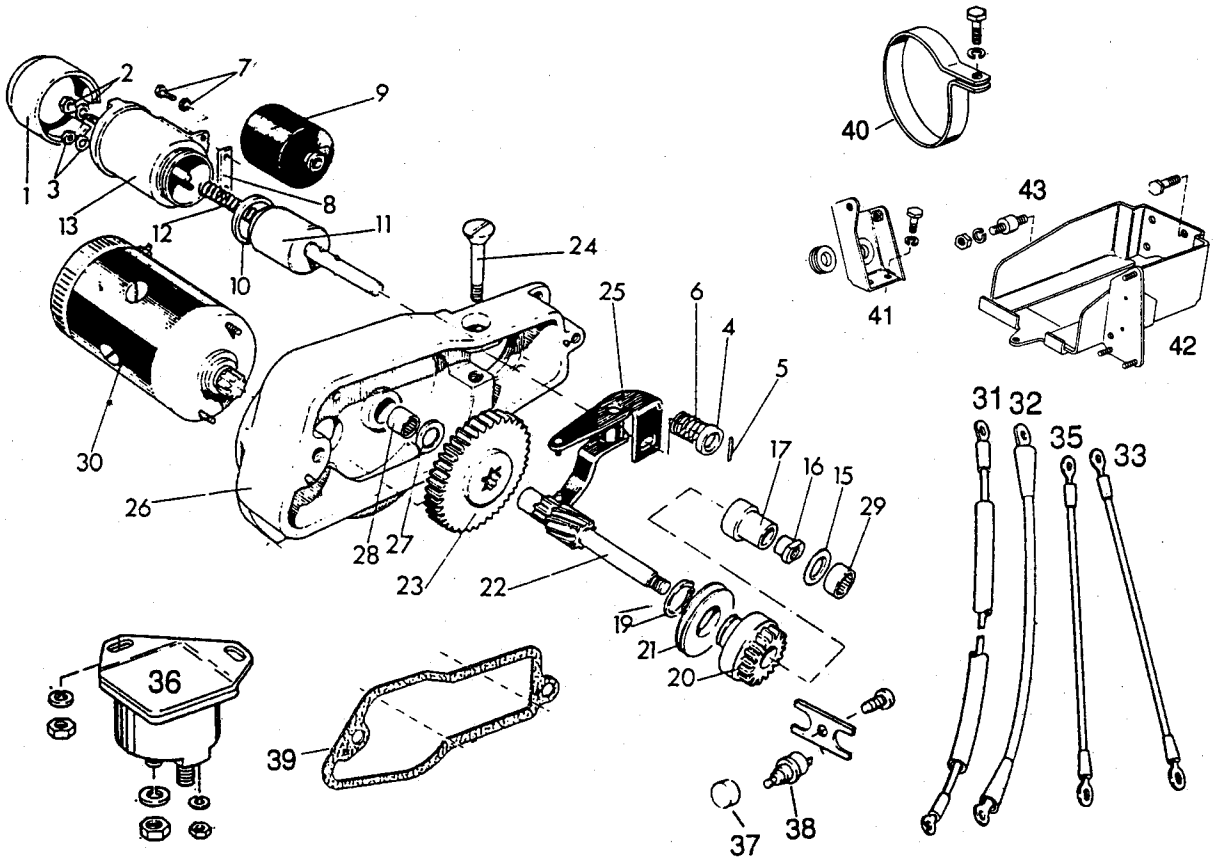


VT No. 32-0002 1967-78 XLH Prestolite Style

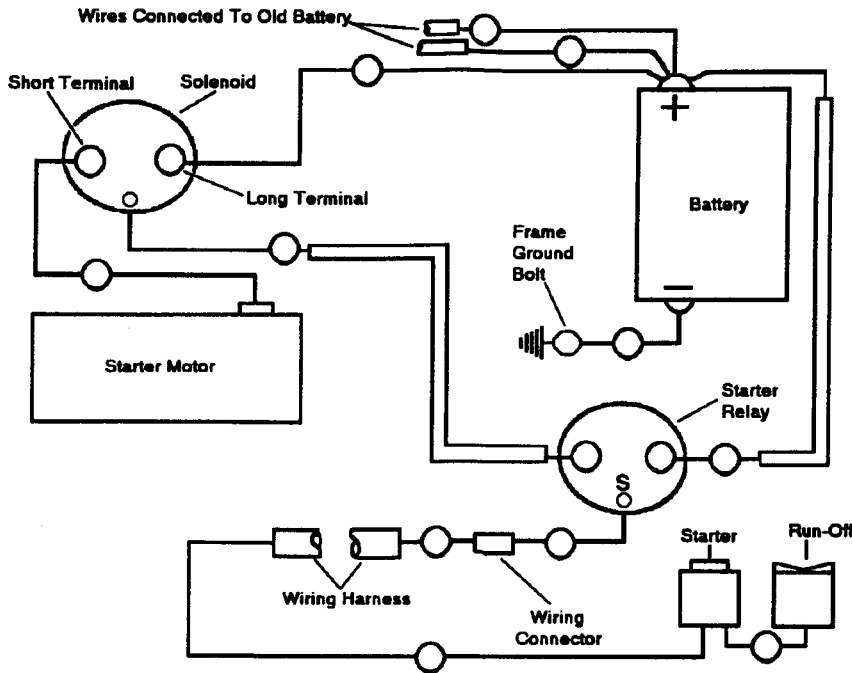


VT No.	#	Qty.	Item
28-0117	1	1	Rubber Solenoid Cover
32-7571	11	1	Plunger Kit Includes 2-3-4-5-6-7-8-9-10-12
32-0633	13	1	Starter Solenoid
		2	3/8 Lockwasher
		1	#10 Ext. tooth lockwasher
		1	#10-32 Nut
		2	3/8 x 16
17-1504	15	1	Washer
17-0081	16	1	Nut
17-0082	17	1	Spacer
12-0934	19	1	Snap Ring
32-0639	20	1	Drive
17-1502	21	1	Shaft Collar
17-0083	22	1	Shaft
17-0080	23	1	Gear
17-1500	24	1	Bolt
17-1501	25	1	Arm
43-9132	26	1	Housing
17-1503	27	1	Washer
12-0317	28	1	Housing Bearing
12-0318	29	1	Bearing
32-7525	30	1	Presolite Starter, Black
32-9206	31	1	Small Wire Kit includes 4 pieces
32-0323	32	1	Starter Relay to Solenoid Wire
32-0310	33	2	Cable-Solenoid to Starter
32-0324	35	1	Cable Ground
32-0641	36	1	Starter Relay
		2	1/4 x 20 x 1/2 Slotted Screw
		2	1/4 x 20 Hex nuts
		2	1/4 Lockwasher
		2	5/16 Lockwasher
		2	5/16 x 18 Hex nut
		1	#10 Lockwasher
		1	#10-32 Nut
32-0407	37	1	Short Starter Button
32-0405	38	1	Starter Switch
15-0152	39	1	Gasket
Hardware To Mount Housing			
		2	5/16 Int Lockwasher
		2	5/16 x 18 - 1 Hex Bolt
		2	5/16 Flatwasher
		2	5/16 - 18 - 1 1/4 Hex Bolt
31-0099	40	1	Clamp
31-0130	41	1	5/16 x 18 x 1 Hex Head
		1	Box Support Bracket
		2	3/8 x 16 x 3/4 Hex Head
		2	3/8 Lockwasher
42-9914	42	1	Battery Tray
		3	5/16 x 24 x 5/8 Hex Head
		3	5/16 Lockwasher
28-0546	43	1	Mount Rubber
		1	1/4" x 20 Nut, For above
		1	1/4" Lockwasher, For above

Refer to Parts Book 48-0332 & manual 48-0659 for assembly info. Purchase ring gear 18-3640 for 1971-80 separately which must be welded on.

ELECTRIC START CONVERSION KIT WIRING DIAGRAM

for VT No. 32-0002



Route wire between starter relay mounting and starter stud. Secure with nuts.

Assemble feed wire from starter button to small terminal on starter relay.

Position solenoid boot over ends of heavy black wires. Assemble both heavy black wires to starter solenoid terminals. Route wire from short solenoid terminal to starter terminal. Route wire from long solenoid terminal to battery positive terminal. Do not connect.

Route wire between starter relay and battery positive terminal location. Route wire between starter relay and starter solenoid small terminal.

Solder the jumper wire to the terminal on the "Run-off" switch. With the wire attached solder the other end of the jumper wire to the start switch. Remove the tape from the loose wire in the handle-bar housing and solder it to the other terminal of the start switch. If there is no wire see service manual.

Install battery in carrier with positive terminal toward front of motorcycle. Remove screw from battery positive terminal and discard. Use longer screw included in kit to connect 4 wires to battery negative terminal and motorcycle around bracket welded to the frame using bolt and lock washer

Assemble battery cover to battery using scrap.

Reassemble seat to motorcycle.