



**MORE POWER : LESS NOISE**

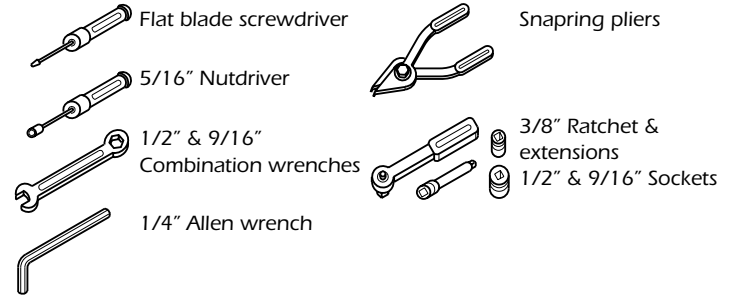


Model may vary from picture

Congratulations, you have purchased the finest exhaust system for your motorcycle on the market. Your Vance & Hines exhaust system is designed and crafted for maximum performance, a perfect fit, a great sound and unbeatable style. Please follow the installation instructions below and if you have any questions, please call our technical support line at (562) 926-5291.

Attention installer (if other than owner), please forward this instruction sheet to the owner of this product. These instructions contain valuable information to the end user.

**TOOLS  
REQUIRED**



**READ ALL INSTRUCTIONS BEFORE BEGINNING INSTALLATION**

**STOCK EXHAUST  
SYSTEM  
REMOVAL**

1. Remove two cylinder exhaust port flange nuts from each head pipe, located at the cylinder head and save for re-use with the new system.
2. Remove the bolts attaching muffler bracket to the frame.
3. Remove the complete exhaust system and set aside. Assistance may be required.
4. Carefully remove the flanges and circlips from the stock exhaust system using snapping pliers. NOTE: Replace bent or

damaged circlips. Check condition of stock exhaust gaskets. Replace if worn or damaged. (Recommended replacement exhaust port gaskets, Screamin' Eagle part #17048-98).

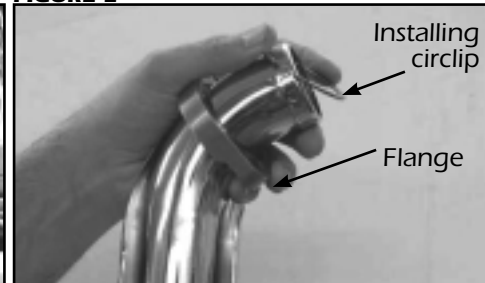
NOTE: IF YOUR STOCK SYSTEM IS NOT EQUIPPED WITH REMOVABLE FLANGES, YOU WILL NEED TO PURCHASE THEM SEPARATELY. Recommended H-D part #65325-83 or Drag Specialties part #DS203097.

**FIGURE 1**

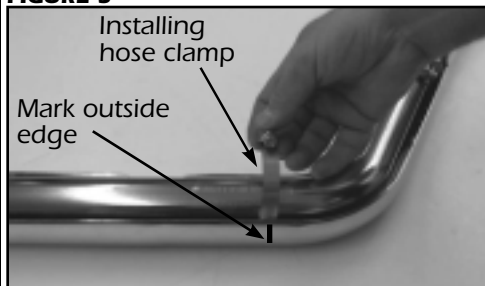


Installing bracket 415-P

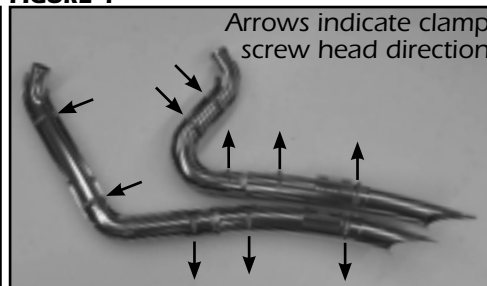
**FIGURE 2**



**FIGURE 3**



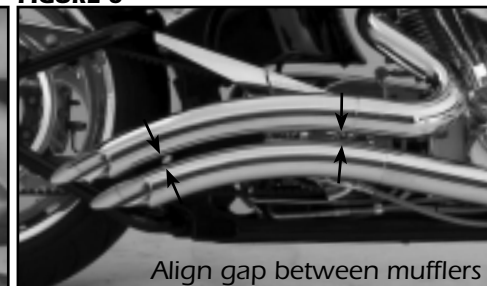
**FIGURE 4**



**FIGURE 5**



**FIGURE 6**



**VANCE & HINES EXHAUST SYSTEM INSTALLATION**

1. Attach mounting bracket 415-P (supplied) in stock location using two 3/8" x 7/8" flange bolts (supplied)(Figure 1).
2. Install circlips and flanges from the stock system onto both new head pipes (Figure 2).
3. Remove head pipes and heat shields from protective packaging. Place each heat shield on a non-abrasive surface such as a blanket or carpet. Using a felt tip pen, mark outside edge of each heat shield to show location of hose clamp mounting clips (Figure 3).
4. Lay head pipes (D432FC & D433FC) into head pipe heat shields (D430HC & D433HC) respectively. Make sure alignment clip on head pipe fits inside heat shield. Loosely install #20 hose clamps (supplied) by feeding tail end of clamp into heat shield clips (Figure 3). Take note of screw head direction (Figure 4). Screw head should be accessible when system is installed on motorcycle for adjustment purposes. NOTE: Do not tighten at this time.
5. Using the #28 hose clamps (supplied), install the muffler heat shields with the D308HC on the front head pipe and the D309HC on the rear. Take note of screw head direction (Figure 4). NOTE: Do not tighten at this time.
6. Using stock flange nuts, carefully install head pipes into exhaust ports, starting with the rear cylinder. Assistance may be required. NOTE: Do not tighten at this time.
7. Slide nut plate inside bracket that is welded to backside of muffler bodies (Figure 5). While holding nut plates in place, attach muffler bodies to mounting bracket 415-P using four 5/16"x 5/8" flange head bolts (supplied). Leave them loose at this time. NOTE: Muffler body brackets should align with edges of mounting bracket 415-P.
8. Align pipes on motorcycle so that the gap between the two mufflers is consistent from front to rear and tighten exhaust port flange nuts (Figure 6).
9. Tighten flange bolts securing muffler bodies to mount bracket 415-P.
10. Adjust the heat shields to get the best alignment at the seam where they meet; tighten all the hose clamps.
11. Check for adequate clearance between all exhaust system components and motorcycle accessories prone to heat damage.
12. Be sure to tighten all hardware before starting your motorcycle.

**EXHAUST CARE - HELPFUL HINTS TO AVOID DISCOLORATION OF EXHAUST SYSTEM**

1. When installing a new set of chrome pipes, make sure your hands are clean and free of oil. After installation, thoroughly clean pipes with a soft cloth and cleaning solvent that will leave no residue (chrome wax / polish, glass cleaner, alcohol, ammonia, etc...) before starting the motorcycle.
2. Follow owners manual instructions regarding use of the choke (starter enricher). If left on longer than recommended, discoloration may be accelerated.
3. Avoid long periods of idling as this can cause discoloration.
4. Intake leaks can cause the engine to run lean and overheat, this could lead to discoloration.
5. Make sure there are no exhaust leaks at the junction of the exhaust pipes and cylinder head. We recommend replacing gaskets if they are worn.

**VANCE & HINES OPTIONAL ACCESSORIES**

No optional accessories are available at this time.

**RE-JETTING FOR CARBURETED MODELS:**

Re-jetting the carburetors will result in realizing the "full" potential of this performance exhaust system. Vance & Hines offers Jet Kits for most applications, call (562) 921-7461 for more information.

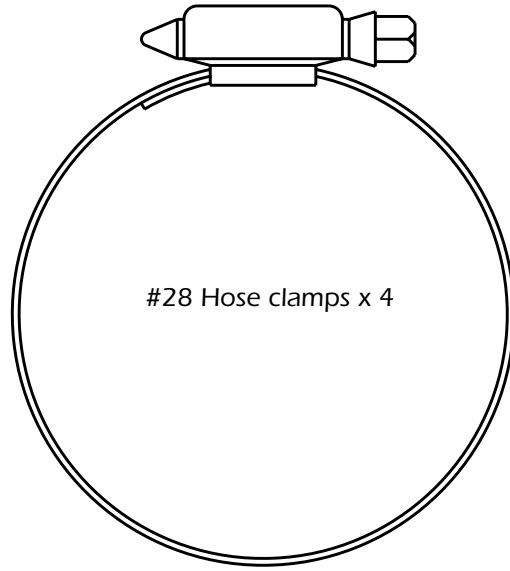
**PLEASE NOTE:**

Every effort is made for Vance & Hines Exhaust Systems to provide improved cornering clearance. However, due to design and space limitations on some motorcycle models, ground and cornering clearance may not be improved and in some cases may be reduced. Be sure to follow proper installation instructions.

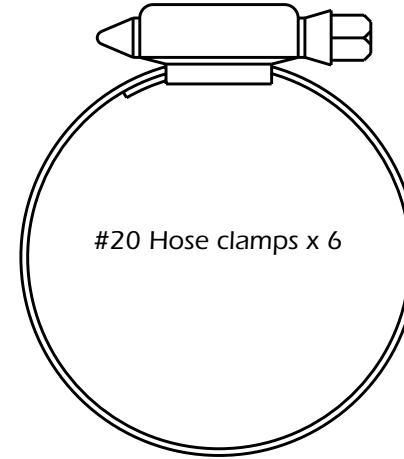
**PACKING LIST**

**MORE POWER : LESS NOISE**

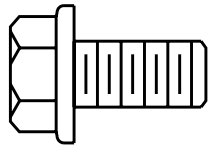
ALL PARTS SHOWN ARE ACTUAL SIZE



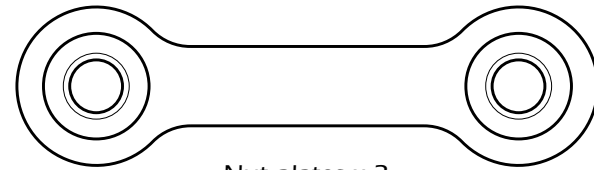
#28 Hose clamps x 4



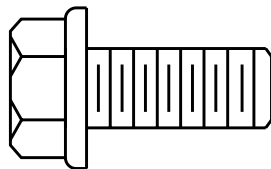
#20 Hose clamps x 6



5/16" x 5/8" Flange head bolts x 4



Nut plates x 2



3/8" x 7/8" flange head bolts x 2

**PARTS NOT SHOWN:**

- |        |                               |
|--------|-------------------------------|
| 415-P  | Bracket x 1                   |
| D432FC | Front head pipe assy x 1      |
| D433FC | Rear head pipe assy x 1       |
| D430HC | Front heat shield x 1         |
| D433HC | Rear heat shield x 1          |
| D308HC | Front muffler heat shield x 1 |
| D309HC | Rear muffler heat shield x 1  |

**WARRANTY**

Vance & Hines exhaust systems are warranted against defects in material and workmanship for a period of 90 days from the date of purchase from an authorized dealer. This warranty does not cover discoloration of chrome finishes. This warranty is limited to the repair or replacement of a product proven to be defective from normal use. Vance & Hines exhaust systems are designed to fit and operate on OEM motor and chassis. This warranty does not cover any product subject to abuse, misuse, improper installation or modification.



**Big Radius**

SM	24024
MD	24025
LG	24026
XL	24027
XXL	24028

**Sideshots Vertical**

SM	24029
MD	24030
LG	24031
XL	24032
XXL	24033

**V-Rod**

SM	24034
MD	24035
LG	24036
XL	24037
XXL	24038

**Sideshots Cubed**

SM	24039
MD	24040
LG	24041
XL	24042
XXL	24043

**GET YOUR LIMITED EDITION VANCE & HINES T-SHIRT. ALL T-SHIRTS ARE BLACK, HIGH QUALITY, 100% COTTON AND MADE IN THE U.S.A. CALL TO ORDER: (562) 921-7461**

**13861 ROSECRANS AVENUE / SANTA FE SPRINGS, CA 90670  
SALES: (562) 921-7461 / TECHNICAL: (562) 926-5291 / FAX: (562) 802-0110  
VANCEANDHINES.COM**