



INSTRUCTIONS

-J02633

REV. 01-6-2004

Kit Numbers 71802-03, 71803-03, 71804-03 and 71808-03

CHROME HANDLEBAR SWITCH CAP KITS

General

These kits contain complete sets of chrome switch caps for the left and right handlebar switches. These caps are direct replacements for the standard equipment black switch caps.

Kit Number 71802-03 fits:

- 1996 and later FLHTCUI (Ultra Classic® Electra-Glide®),
- 1998 and later FLTR (Road Glide®) models.

Kit Number 71803-03 fits

- 1996 and later FLHT (Electra-Glide® standard), and
- 1996 and later FLHTC (Electra-Glide® Classic) models.

Kit Number 71804-03 fits

- 1996 and later XL,
- 1996 and later Dyna Glide®,
- 1996 and later Softail®,
- 1996 and later FLHR Road King®,
- 1998 through 2001 FLHRCI (Road King® Classic), and
- 2002 and later VRSC (V-Rod).

Kit Number 71808-03 fits

- 2002 and later FLHRCI (Road King® Classic) models.

Ask your Harley-Davidson Dealer about Chrome Switch Housing kits and Chrome Hand Lever Bracket kits, and the selection of Handlebar Grips that are also available for these models. These items can be easily installed at the same time as this kit.

See the Service Parts illustration on the last page of these instructions for kit contents.

CAUTION

Read this entire Instruction Sheet and the referenced sections of the Service Manual before beginning. If any of the procedures are not within your capabilities, or you do not have the correct tools, have your Harley-Davidson Dealer perform the installation.

NOTE

This instruction sheet references Service Manual information. A Service Manual for your model motorcycle is required for this installation and is available from your Harley-Davidson Dealer.

Installation

WARNING

To prevent accidental vehicle start-up, which could cause death or serious injury, disconnect battery cables (negative cable first) before proceeding. (00048a)

WARNING

Disconnect negative (-) battery cable first. If positive (+) cable should contact ground with negative (-) cable connected, the resulting sparks can cause a battery explosion, which could result in death or serious injury. (00049a)

1. Refer to the Service Manual and follow the instructions given to open or remove the seat and disconnect the battery cables, negative cable first.
2. Refer to the HANDLEBAR SWITCHES section of the Service Manual for removal of the left and right-hand switch housing assemblies.

NOTE

It is not necessary to disconnect the switch wiring to replace the switch caps.

3. Refer to the SWITCH REPAIR/ REPLACEMENT section of the Service Manual, SPECIFIC REPAIR PROCEDURES, for removal of the individual switches from the switch housing.

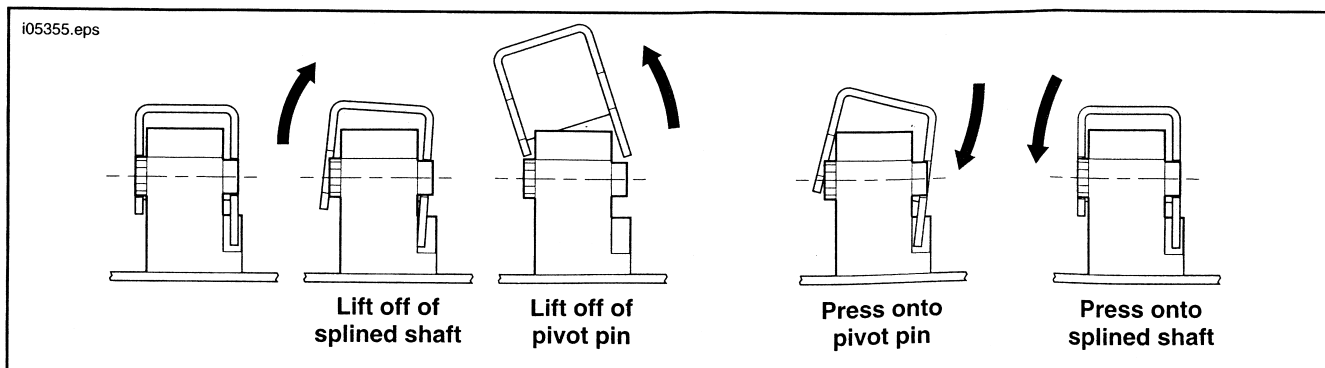


Figure 1. Upper Housing Switch Cap Removal and Replacement

4. Upper housing switches:

- a. For the HORN and START switch caps, release the torsion spring leg from the hole in the switch cap tab. Take note of how the spring is installed. The other leg of the spring can remain in the switch bracket hole.
- b. Using a thin blade screwdriver, carefully pry the stock black switch cap up off the splined actuator shaft on the left side of the switch (see Figure 1).
- c. Pry the switch cap up and away from the pivot pin on the right side of the switch, and remove the cap.

NOTE

Use the clear protective cover film to protect the chrome surface of the switch caps during installation. Remove the film after the installation is complete.

- d. Select the proper chrome replacement switch cap from the kit. Peel a clear protective installation cover from the included sheet (7), and place it over the surface of the cap.
- e. Place the cap onto the switch, angling the hole on the right side over the pivot pin on the switch.

NOTE

Use the screwdriver on the underside of the switch cap as necessary to pry the cap open to fit over the actuator shaft.

- f. Carefully press the switch cap down onto the splined actuator shaft, rocking and moving the cap until the shaft snaps into place in the splined hole.
- g. For the HORN and START switch caps, insert the torsion spring leg into the hole in the switch cap tab.
- h. Toggle the switch back and forth, checking for proper operation.

Turn signal switches:

- j. Using a thin blade screwdriver, carefully pry the stock black switch cap up off the splined actuator shaft on the switch.
- k. Pry the switch cap up and away from the pivot pin on the switch, and remove the cap.
- l. Select the proper chrome replacement switch cap from the kit. Peel a clear protective installation cover from the sheet, and place it over the surface of the cap.
- m. Place the cap onto the switch, angling the hole on the top over the pivot pin on the switch.
- n. Carefully press the switch cap onto the splined actuator shaft, rocking and moving the cap until the shaft snaps into place in the splined hole.
- p. Toggle the switch back and forth, checking for proper operation.

Audio/ Cruise Control switches:

- r. Pull the stock black switch cap from the switch shaft. If there is a metal clip in the old switch cap, insert a copper clip from the kit into the new chrome cap.
 - s. Select the proper chrome replacement switch cap from the kit. Peel a clear protective installation cover from the sheet, place it over the surface of the cap, then slide the cap onto the shaft.
 - t. Toggle the switch back and forth, checking for proper operation.
5. Assemble the individual switches back into the switch housings. See the SWITCH REPAIR/ REPLACEMENT section of the Service Manual.
 6. Refer to the HANDLEBAR SWITCHES section of the Service Manual, and assemble the left and right-hand switch housing assemblies. Remove the clear protective installation covers and discard.

WARNING

Connect positive (+) battery cable first. If positive (+) cable should contact ground with negative (-) cable connected, the resulting sparks can cause a battery explosion, which could result in death or serious injury. (00068a)

7. Connect the battery cables, positive cable first.
8. Refer to the Service Manual, and follow instructions to install the seat.

WARNING

After closing or installing seat, pull upward on front and side of seat to be sure it is in locked position. While riding, a loose seat can shift causing loss of control, which could result in death or serious injury.

9. Test all the handlebar switches for proper operation.