



# CUSTOM CHROME™ Instructions

## Clutch Cable Adjuster Cover CCI #23-800

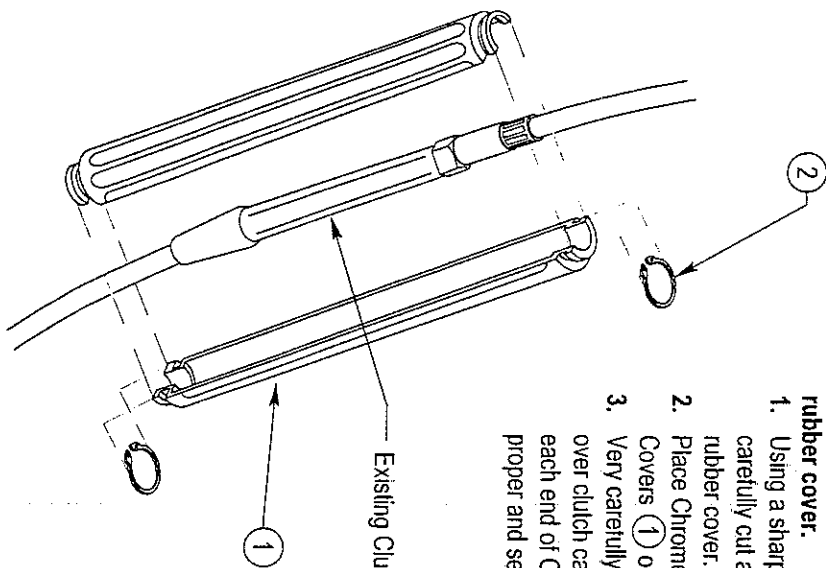
Copyright © 1996 Custom Chrome, Inc.

### BILL OF MATERIAL

| NO. | QTY. | DESCRIPTION                          | PART NO. |
|-----|------|--------------------------------------|----------|
| 1   | 2    | CLUTCH CABLE ADJUSTER COVER - CHROME | 23-800   |
| 2   | 2    | CLIPS                                | 23-801   |

**NOTE: Do not cut or damage the cable or cable housing when removing the existing rubber cover.**

1. Using a sharp knife or razor blade carefully cut and remove existing rubber cover.
2. Place Chrome Clutch Cable Adjuster Covers (1) over clutch adjuster.
3. Very carefully install supplied clips (2) over clutch cable and onto each end of Covers. Check for proper and secure fitment.



# CUSTOM CHROME™ Instructions

## Clutch Cable Adjuster Cover CCI #23-800

Copyright © 1996 Custom Chrome, Inc.

### BILL OF MATERIAL

| NO. | QTY. | DESCRIPTION                          | PART NO. |
|-----|------|--------------------------------------|----------|
| 1   | 2    | CLUTCH CABLE ADJUSTER COVER - CHROME | 23-800   |
| 2   | 2    | CLIPS                                | 23-801   |

**NOTE: Do not cut or damage the cable or cable housing when removing the existing rubber cover.**

1. Using a sharp knife or razor blade carefully cut and remove existing rubber cover.
2. Place Chrome Clutch Cable Adjuster Covers (1) over clutch adjuster.
3. Very carefully install supplied clips (2) over clutch cable and onto each end of Covers. Check for proper and secure fitment.

