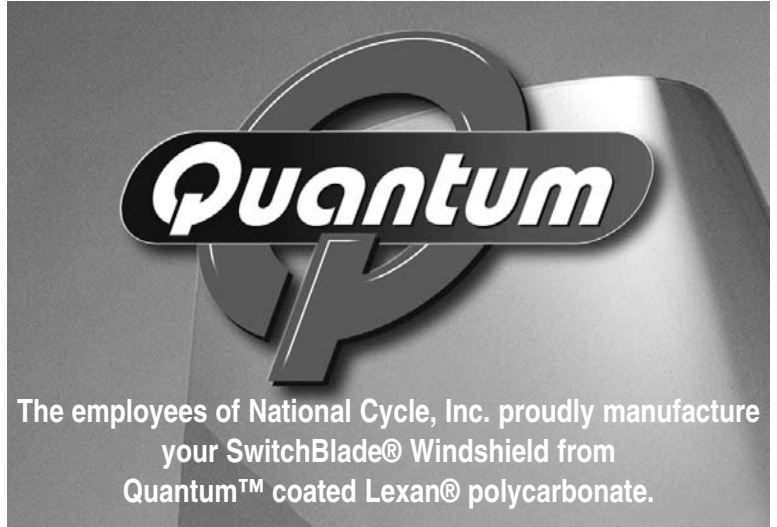




Kit Q342 SwitchBlade Windshield Mount Kit for installation with SwitchBlade Windshields: 2-Up™, Chopped™, Shorty™ or Deflector™



Dealers: If installing the mount kit for a customer please give them this manual. It contains information needed to properly maintain and use this product.

The Switchblade™ Mount Kit will allow you to mount any of the four styles of SwitchBlade windshields to the motorcycle this kit is installed on. Contact your dealer or National Cycle for complete information for all four SwitchBlade Windshields: 2-Up™, Chopped™, Shorty™, and Deflector™ *All Patents Pending*

Attention



Special notes and cautionary measures which can prevent damage to the accessory or motorcycle.

Note



Tips for facilitation of operation, control and adjustment, as well as maintenance work.

Parts List

INDEX	DESCRIPTION	QTY.
BAG 669		
1	34-340505-000 Cap, Roller Bushing, Polished	2
2	34-340517-000 Spool, Upper, HD,SB	2
3	34-340512-000 Spool, Lower, HD,SB	2
4	44-441903-000 Cushion, HD,SB (Figure 2)	2
BAG 677		
5	51-514617-000 Screw, 5/16"-24 x 2 1/8"	2
6	51-516132-000 Screw, 5/16"-24 x 1 1/2"	2



- 1, Hex Key Wrench, 3/16"
- 1, Torque Wrench that accurately measures 180 inch pounds. (15 ft-lbs) (21 Nm)

Preparation



Proper tightening of this assembly is critical. Use a Torque Wrench! Follow this procedure! Correct assembly of this kit will provide years of reliable service.

Position the motorcycle securely on its stand or a work stand. Cover the front fender and fuel tank with a suitable cloth to avoid scratches from dropped tools.

INSTALLATION

1. Insert a Cushion into the **thin side** of each Upper Spool. **Figure 2.** Next insert the Roller Bushing Cap as shown in **figure 2a.**

Push Cushion in fully until flush with top of spool.

Thin Edge

Push Roller Bushing Cap in fully. 2.a

Figure 2. Figure 2a.

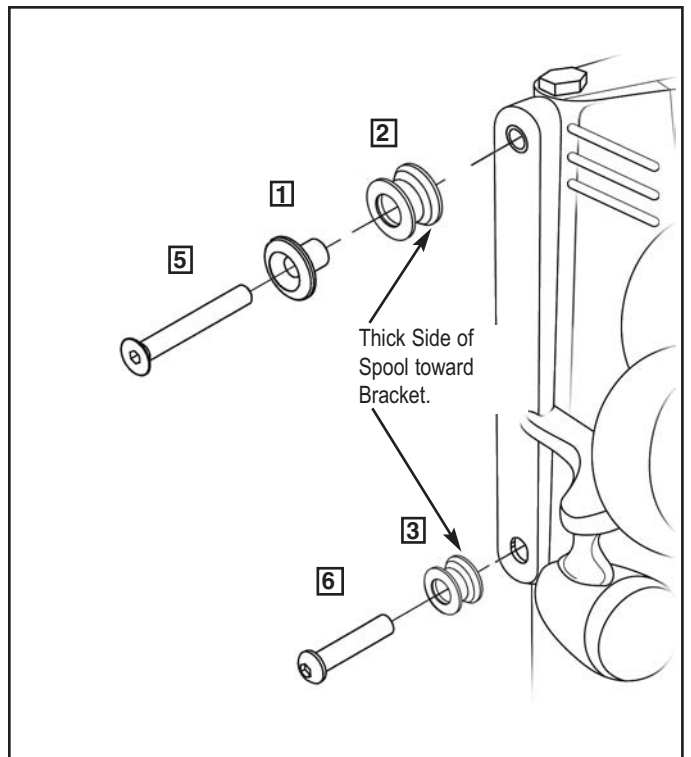



Figure 1.

INSTALLATION

2. On one side of the motorcycle, remove the upper and lower stock screws from the stock light bar bracket. The required tool may vary depending on year of motorcycle. **Figure 3. (3/16" Hex)**

 There is a slight possibility that after stock screws are removed the decorative stainless steel surround under the light bar bracket may become misaligned. When installing the supplied screws, **DO NOT CROSS THREAD SCREWS**. If it feels wrong, stop and squeeze the surround together hard and restart the screw. **Figure 4.**

Install Upper Spool Assembly

3. Assemble upper parts on screw as follows: **(Figure 5)**
Item 5, 2 1/8" Screw
Upper Spool Assembly (Items 1,2,4)

Install Screw and Spool assembly in the upper mount hole of the light bar, do not fully tighten. **Figure 5. (3/16" Hex)**

Install Lower Spool

4. Assemble lower parts on screw as follows: **(Figure 5)**
Item 6, 1 1/2" Screw
Item 3, Lower Spool

Carefully start the screw and install, do not fully tighten. **Figure 6. (3/16" Hex)**

5. Repeat on other side of motorcycle.

 **Proper tightening of this assembly is critical. Use a Torque Wrench.**

6. Tighten all upper and lower Screws to 180 INCH POUNDS (21 Nm) (15 ft-lbs). **Figure 7. (Torque Wrench, 3/16" Hex Wrench.)**

7. **To install the windshield** refer to the booklet packaged with the SwitchBlade windshield. Install the shield. Make sure all components line up.

8. Cycle the shield through the mount and dismount 5 times. Retighten the Nuts to 180 INCH POUNDS (21 Nm) (15 ft-lbs).



Figure 3.



Figure 4.

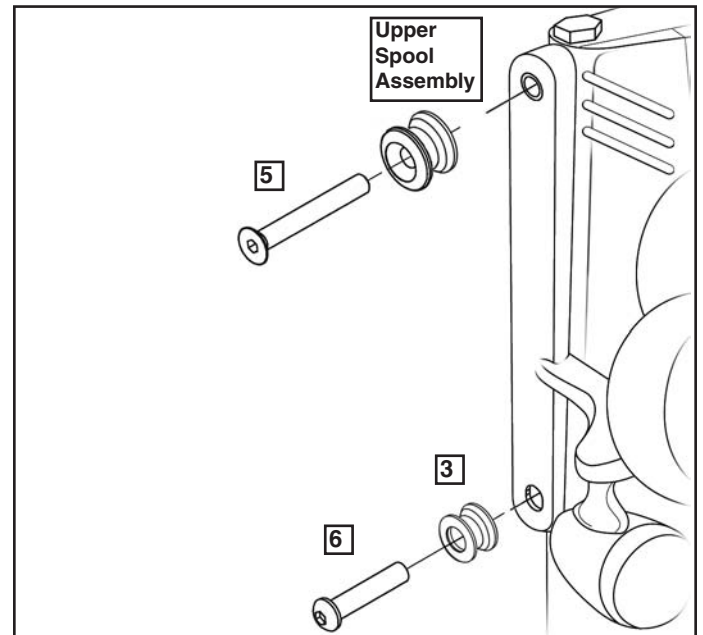


Figure 5.



Figure 7.



Figure 6.