

## INSTALLATION INSTRUCTIONS

### FAIRING MOUNTED DRIVING LIGHTS, CHROME

5058

#### THANK YOU FOR CHOOSING KURYAKYN!

Protect yourself and others from possible injury and property damage or loss. Pay close attention to all instructions, warnings, cautions, and notices regarding the installation, use, and care of this product.

**WARNING** THIS INDICATION ALERTS YOU TO THE FACT THAT IGNORING THE CONTENTS DESCRIBED HEREIN CAN RESULT IN POTENTIAL DEATH OR SERIOUS INJURY.

**CAUTION** THIS INDICATION ALERTS YOU TO THE FACT THAT IGNORING THE CONTENTS DESCRIBED HEREIN CAN RESULT IN MINOR OR MODERATE POTENTIAL INJURY.

**NOTICE** THIS INDICATION ALERTS YOU TO THE FACT THAT IGNORING THE CONTENTS DESCRIBED HEREIN MAY NEGATIVELY AFFECT PRODUCT PERFORMANCE AND FUNCTIONALITY OR DAMAGE THE PRODUCT ITSELF OR THE PRODUCT TO WHICH IT IS BEING ATTACHED.

#### ENSURE THAT THE FOLLOWING PARTS HAVE BEEN INCLUDED IN THE KIT:

1	Right Driving Light Assembly	1	Hardware Kit
1	Left Driving Light Assembly	4	5/16 Flat Washers
		4	5/16-18 x 1-1/2" Screws
		2	Bottom Spacers
		2	Top Spacers
		12	6" Cable Ties

#### YOU WILL ALSO NEED:

Socket set

**NOTICE** THESE INSTALLATION INSTRUCTIONS CONTAIN IMPORTANT INFORMATION. ENSURE THE END USER RECEIVES THIS COPY AND IS AWARE OF ITS IMPORTANCE FOR FUTURE USE.

**STEP 1** Read and understand all STEPS in the instructions before starting the installation. Park the motorcycle on a hard, level surface and turn IGN OFF. Remove the main fuse.

**STEP 2** Refer to PIC 1. Remove existing turn signal assembly; disconnect the light connectors, and remove factory standoff mounting studs. Set the assembly and hardware aside, it will not be reused. Repeat for other side. If motorcycle is equipped with Kuryakyn tie downs, skip to STEP 5, otherwise proceed to the next step.

**WARNING** THE END USER'S SAFETY DEPENDS UPON PROPER INSTALLATION OF THIS PRODUCT. IF A STEP IN THESE INSTRUCTIONS IS NOT WITHIN YOUR CAPABILITIES OR YOU DO NOT HAVE THE CORRECT TOOLS, HAVE YOUR DEALER PERFORM THE PROCEDURE. IMPROPER INSTALLATION OF THIS PRODUCT COULD RESULT IN DEATH OR SERIOUS INJURY.

ACCIDENTAL VEHICLE START-UP COULD CAUSE DEATH OR SERIOUS INJURY, REMOVE THE MAIN FUSE BEFORE PROCEEDING.

**STEP 3** Refer to PIC 2. Locate the Right Driving Light assembly. Mate the connectors.



PIC 1



PIC 2

## INSTALLATION INSTRUCTIONS

### FAIRING MOUNTED DRIVING LIGHTS, CHROME

5058

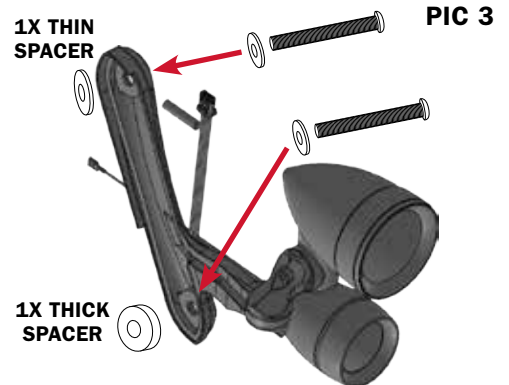
-CONTINUED-

- STEP 4** Refer to PIC 3. Assemble two of the included screws with one flat washer each; insert one screw and washer assembly through the top hole and one through the bottom hole of the driving light assembly. On the inside of the assembly, place a thick spacer over the bottom screw, and a thin spacer over the top screw. Neatly tuck connector wires in cavity of light assembly, and secure it in place on the bike.

Repeat for other side.

**NOTICE**

SECURE THE WIRING AWAY FROM MOVING PARTS, PINCH POINTS, OR EXTREME HEAT. KURYAKYN WILL NOT PROVIDE WARRANTY COVERAGE ON ANY ELECTRICAL COMPONENT THAT FAILS DUE TO PINCHED, CRIMPED, BROKEN ABRADED, MELTED, OR FRAYED WIRES.

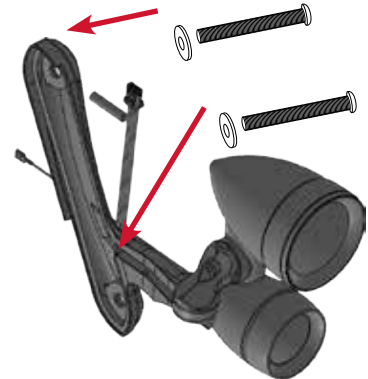


### IF MOTORCYCLE IS EQUIPPED WITH KURYAKYN TIE DOWNS, FOLLOW THE FOLLOWING STEPS BELOW.

- STEP 5** Locate Hardware Kit. Assemble two of the included screws with one flat washer each; insert one screw and washer assembly through the top hole and one through the bottom hole of the driving light assembly.

- STEP 6** Route Driving Light assembly wiring through the slot in the tie down, and place tie down bracket over the screw ends. Route the wiring into the fairing cavity.

PIC 4



**NOTICE**

SECURE THE WIRING AWAY FROM MOVING PARTS, PINCH POINTS, OR EXTREME HEAT. KURYAKYN WILL NOT PROVIDE WARRANTY COVERAGE ON ANY ELECTRICAL COMPONENT THAT FAILS DUE TO PINCHED, CRIMPED, BROKEN ABRADED, MELTED, OR FRAYED WIRES.

- STEP 7** Align tie down bracket and light assembly on the bike, and secure in place with screws.

Repeat for other side.

**WARNING**

ENSURE PROPER LIGHT OPERATION BEFORE RIDING THE MOTORCYCLE. VISIBILITY IS A MAJOR CONCERN FOR MOTORCYCLISTS. A LIGHTING MALFUNCTION COULD RESULT IN DEATH OR SERIOUS INJURY.



PIC 5

## INSTALLATION INSTRUCTIONS

### FAIRING MOUNTED DRIVING LIGHTS, CHROME

5058

-CONTINUED-

### ADJUSTING THE DRIVING LIGHTS

**WARNING** WARNING! IT IS THE INSTALLERS RESPONSIBILITY TO ADJUST THE NEW DRIVING LIGHTS TO THE PATTERN RECOMMENDED IN THE SERVICE MANUAL FOR THE DRIVING LIGHTS. FAILURE TO PROPERLY ADJUST THE LIGHT PATTERN MAY DISTRACT ONCOMING DRIVERS RESULTING IN SERIOUS INJURY OR DEATH.

**STEP 1** Refer to PIC 6. For up and down adjustment, loosen the fastener that secures the light assembly to the mount and tilt the assembly in the desired direction. When the light is in the desired position, tighten the fastener securely.

**STEP 2** Refer to PIC 6. For side to side adjustment, loosen the fastener that secures the knuckle to the mounting bracket and rotate the assembly in the desired direction. When the light is in the desired position, tighten the fastener securely.

**NOTICE** IT IS THE END USER'S RESPONSIBILITY TO ENSURE THAT ALL FASTENERS (INCLUDING PRE-ASSEMBLED) ARE TIGHTENED BEFORE OPERATION OF THE MOTORCYCLE. KURYAKYN WILL NOT PROVIDE WARRANTY COVERAGE ON PRODUCTS OR COMPONENTS LOST OR DAMAGED DUE TO IMPROPER INSTALLATION OR LACK OF MAINTENANCE. PERIODIC INSPECTION AND MAINTENANCE ARE REQUIRED ON ALL FASTENERS.

### REPLACING THE LIGHT BULB

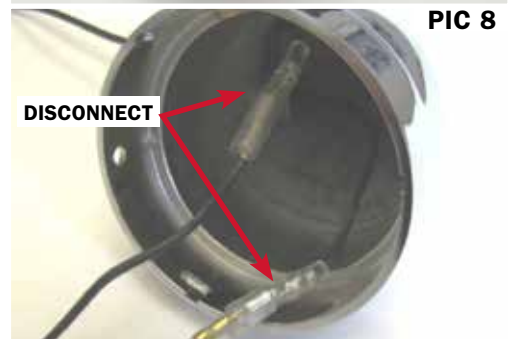
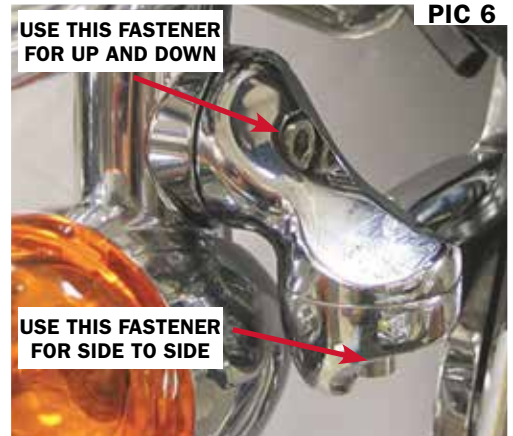
**STEP 1** Refer to PIC 7. Remove the Button Head Cap Screw located at the bottom of the light housing.

**STEP 2** Remove the light bezel by twisting the bezel counter clockwise and pulling the bezel outward.

**STEP 3** Remove the rubber inner seal from the light housing. The glass light housing should now be free.

*Note: Please note the orientation of the locating ring. This will greatly help when reassembling the lights. Refer to PIC 9.*

**STEP 4** Refer PIC 8. Pull the glass housing out way from the light housing and disconnect the wires.



## INSTALLATION INSTRUCTIONS

### FAIRING MOUNTED DRIVING LIGHTS, CHROME

5058

-CONTINUED-

**STEP 5** Refer PIC 9. Remove the screws to gain access to the light bulb. Pull the light bulb from the mount, with the white wire attached.

**STEP 6** Take the new light and insert the white wire through the mount from the front side. (The wire should fit through the rubber boot on the backside of the mount.)

#### NOTICE

**DO NOT HANDLE THE GLASS PORTION OF THE NEW BULB WITH YOUR BARE HANDS. OIL FROM YOUR FINGERS WILL STAY ON THE BULB AND CREATE A HOT SPOT, SHORTENING THE LIFE OF THE BULB. IF YOU DO TOUCH THE BULB, CLEAN IT WITH AN AMMONIA BASED CLEANER, SUCH AS WINDOW CLEANER OR WITH ALCOHOL BEFORE INSTALLATION.**

**STEP 7** Reassemble the glass housing and the light housing in the reverse order they were disassembled.

#### WARNING

**BEFORE RIDING, ENSURE THAT THE INSTALLATION OF THIS PRODUCT DOES NOT INTERFERE WITH THE PROPER OPERATION OF THE MOTORCYCLE.**



#### LIMITED WARRANTY

Kuryakyn warrants that any Kuryakyn products sold hereunder, shall be free of defects in materials & workmanship for a period of one (1) year from the date of purchase by the consumer excepting the following provisions:

1. Kuryakyn shall have no obligation in the event the customer is unable to provide a receipt showing the date the customer purchased the product(s).
2. The product must be properly installed, maintained & operated under normal conditions.
3. Kuryakyn shall not be liable for any consequential & incidental damages, including labor & paint, resulting from failure of a Kuryakyn product, failure to deliver, delay in delivery, delivery in nonconforming condition, or for any breach of contract or duty between Kuryakyn & a customer.
4. Kuryakyn products are often intended for use in specific applications. Kuryakyn makes no warranty if a Kuryakyn product is used in applications other than intended.
5. Kuryakyn electrical products are warranted for one (1) year from the date of purchase by the consumer. L.E.D.'s contained in components of Kuryakyn products will be warranted for defects in materials & workmanship for 3 years from the date of purchase whereas all other components shall be warranted for one (1) year.
6. All warranty claims must be directed to the place of purchase. Merchandise sold through internet auction sites or any other unauthorized reseller shall not carry a Kuryakyn warranty. If unsure, please contact the place of purchase to verify they are an authorized Kuryakyn reseller.

#### RETURN POLICY

Merchandise determined to be defective may be returned up to one year from the date of purchase. Returns must be processed through original seller. Returned merchandise for any other reason other than warranty claims must be in like new condition & subject to a 20% restocking fee. All returns are subject to inspection for determination of full or partial credit. Any returned part that shows evidence of being used or installed contrary to manufacturer's instructions, &/or subjected to improper handling, packaging or return shipping by the customer, will not be eligible for exchange, refund or warranty consideration. All returned electrical items will be inspected & tested. If electrical item is deemed functional, no credit will be issued & item will be returned. All sales are final on discontinued or closeout merchandise.

©2015 KURYAKYN HOLDINGS, LLC ALL RIGHTS RESERVED

KURYAKYN, KURYAKYN K logo and the marks appearing on this instruction sheet are registered and common law trademarks of Kuryakyn Holdings except noted third-party trademarks. A full listing of trademarks and trademark registrations owned by Kuryakyn Holdings can be found at [www.kuryakyn.com/legal-notice](http://www.kuryakyn.com/legal-notice).

Emissions Notice: The California Air Resources Board (CARB) does not permit the use of aftermarket emission-related parts(s) that alter the performance of OEM emission-related devices unless CARB has issued an Executive Order, other than on racing vehicles on closed courses. Check your local laws and manufacturer's information.

Listed Manufacturers and product model names are for reference only. All product and company names are trademarks or registered trademarks of their respective holders. Use of them does not imply any affiliation with or endorsement by them. All specifications are subject to change without notice.

For additional information on third-party product and company names, please consult our Web page at [www.kuryakyn.com/legal-notice](http://www.kuryakyn.com/legal-notice)