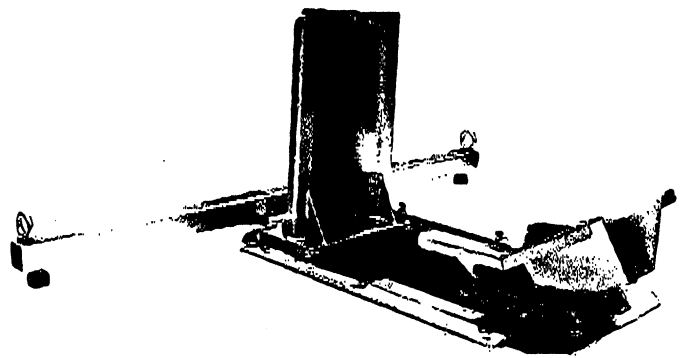


MC10



MC15

## **MC10 Deluxe Wheel Clamp #35-0301**

## **MC15 Cycle Dock #36-0310**

*Thank you for purchasing this K&L product.  
Please inspect unit for damage/missing parts prior to use.*

Our MC10 & MC15 clamps can hold your motorcycle while you are tying it down. The pivoting mechanism holds the front wheel allowing one person to load a bike on to a lift, into a trailer, or into the back of a pickup. It even creates a convenient parking place for your race bike in the pits.

This zinc plated heavy-duty clamp was developed by K&L and can be installed in or on virtually any lift, trailer or truck bed.

### **MC10 Deluxe Wheel Clamp**

Contents include:

- (1) Vise plate with the rocker adjustment plates welded to it.
- (1) Upright channel with mounting plate welded to it.
- (1) Wide rocker for wider tires.
- (1) Narrow rocker for smaller front tires and off-road bikes.
- (1) Pivot pin.
- (2) Hitch pins.
- (2) Mounting rails.
- (6) Allen cap screws.



**K&L Supply Co.**

**1040 Richard Ave Santa Clara CA 95050**  
**408-727-6767 Fax:408-727-4842 [www.klsupply.com](http://www.klsupply.com)**

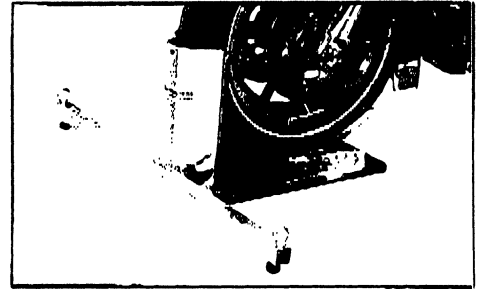
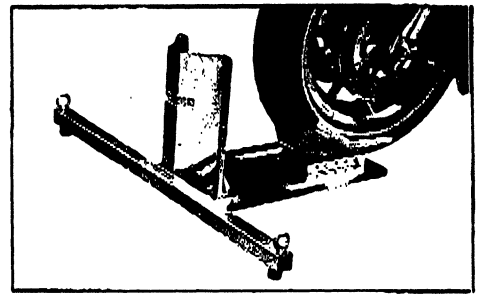
- (4) Large allen bolts for mounting the upright to the base.
- (6) Hex bolts (for pressing vise plate to surface of lift).
- (6) Hex nuts (for securing hex bolts from backing out).

### MC15 Cycle Dock

Contents include:

All items listed for MC10, as well as:

- (1) 38 1/2 inch Support Bar.
- (2) Longer hex bolts (for mounting bar to clamp base).
- (2) Eyelets for tie downs.
- (4) Hex nuts.
- (2) Adjustable rubber feet



### MC10 Mounting Instructions

1. Lay the clamp on the deck (lift, trailer floor, truck bed) where ever you want it located.
2. Align the rails to the sides of the plate, allowing some spacing for ease of sliding in and out.
3. Mark the holes and drill them.
4. Mount the rails loosely and make certain the clamp fits properly first.
5. Once you are sure the position is correct, tighten down the deck mounting bolts.
6. Now check to see if the clamp will slide in and out of the mounting rails.
7. Shimming the rails up or down may be necessary on uneven surfaces.

### MC15 Mounting Instructions

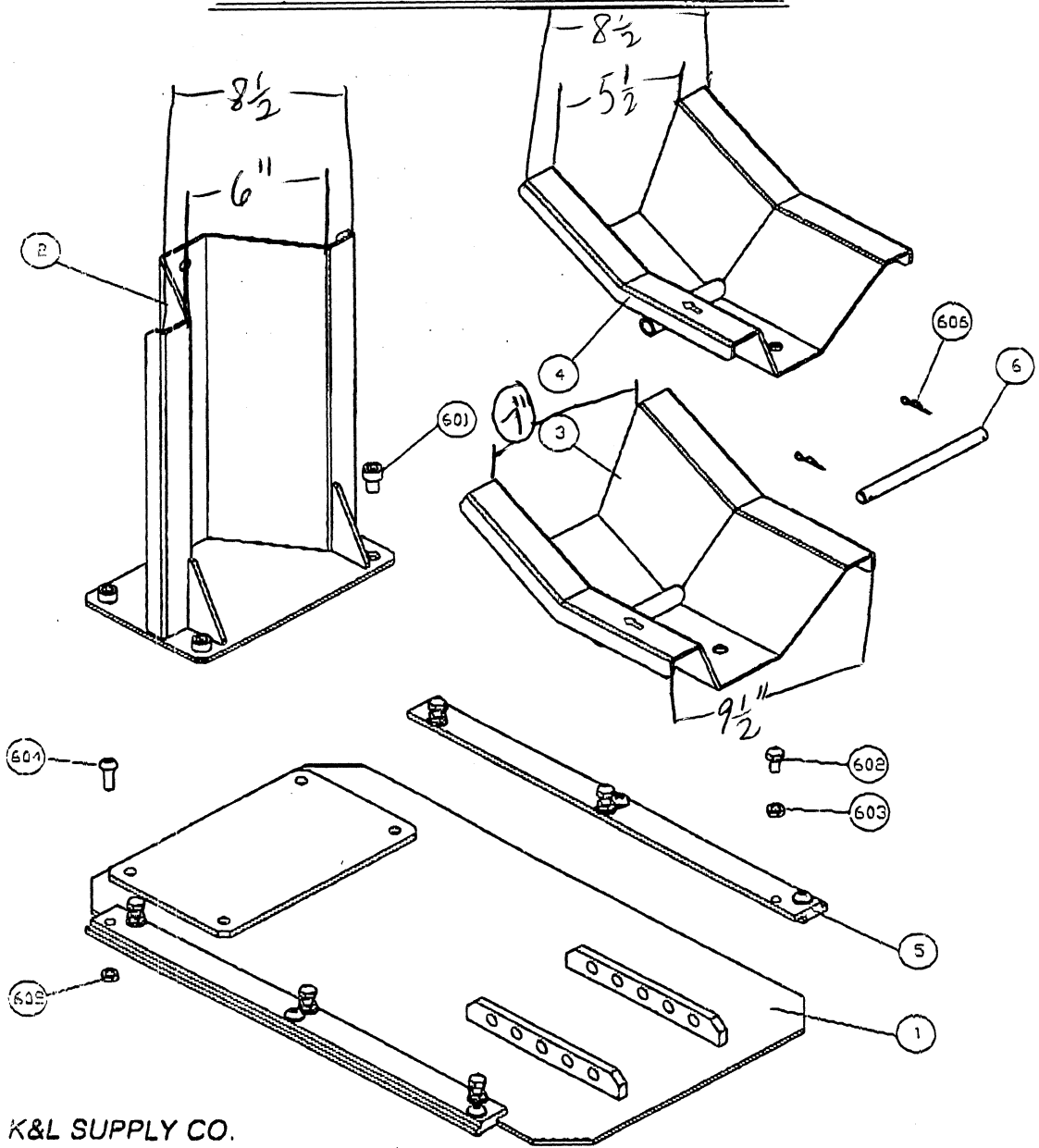
1. Remove the large allen bolts holding the upright to the base plate. Use the 2 large hex bolts to mount the bar to the base plate.
2. Mount the eyelets facing up and the rubber feet facing down on the bar.
3. If you are planning to slide the dock into the rails with the bar attached, ensure the longer bolts don't extend too far on the bottom. This would cause the Cycle Dock not to slide in or out of the rails.

### Adjusting the Clamp/Dock.

Two rockers are supplied. Choose the one that most closely matches the width of the tire on the bike you will be clamping. There are adjustment holes on the deck of the clamp for the 'mounting pin' locations. Choose the correct mounting pin hole so the bottom of the rocker does not touch the base plate when the motorcycle is rolled in. Proper adjustment of the rocker, ensures that constant pressure is applied to the back of the tire forcing it into the upright and rocker. This is what holds the motorcycle in place. Note the arrows on the rockers. They show the proper direction for mounting. Ensure the rocker is in the back position before attempting to roll in a motorcycle.

**WARNING:** It is always the users responsibility to ensure the motorcycle is properly secured with tie downs. Do Not leave motorcycles unattended in your Deluxe Wheel Clamp/Cycle Dock.

# DELUXE WHEEL CLAMP PART LIST



**K&L SUPPLY CO.**

**Part No. 35-0301**

NO.	DESCRIPTION	Q'TY/EA	NO.	DESCRIPTION	Q'TY/EA
1	FRAME	1			
2	FRONT SUPPORT	1	601	WRENCH BOLT ( M10 x 15 )	4
3	LARGE CLAMP	1	602	HEX BOLT ( M8 x 15 )	6
4	SMALL CLAMP	1	603	NUT ( M8 )	6
5	MOUNTING RAIL	2	604	ROUND HEAD WRENCH BOLT ( M8 x 25 )	6
6	PIVOT SHAFT	1	605	NUT ( M8 )	6
			606	R PIN ( #12 )	2