

# INSTALLATION INSTRUCTIONS

## LICENSE PLATE FRAME WITH LENS

Mfg. P/N 720155, 720156, 720160, 720170,  
720175, 720176 (See pkg. label for Dist. P/N)

### ATTENTION INSTALLER (if other than owner):

Please forward these instructions and warranty information if included to the purchaser of this product. These instructions also contain valuable information necessary to the end user.

### INTRODUCTION:

These instructions describe the procedure for properly installing a License Plate Frame with Lens. Review instructions carefully before beginning, as they contain important information. Please retain for future reference.

Particularly important information is distinguished in these instructions by the following notations:

**NOTE:** A NOTE provides key information to make procedures easier or clearer.

**CAUTION:** A CAUTION indicates special procedures that must be followed to avoid damage to the motorcycle or accessories.

**WARNING:** A WARNING indicates special procedures that must be followed to avoid injury to a motorcycle operator or person inspecting or repairing the motorcycle.

### TOOLS REQUIRED:

- 1 - #2 phillips screwdriver
- 2 - 7/16" combination wrenches

### PROCEDURE:

1. Remove license plate from OEM mounting bracket. Remove any reflectors that are in the area where Frame will be installed.

#### **WARNING:**

DOT requires that any reflectors removed must be reinstalled for your safety. It MUST be installed onto rear of motorcycle in such a way as to clearly provide a warning to any approaching vehicle.

2. Install backing plate (item 1) onto mounting bracket, using 1/4" bolts, washers and nuts (items 2, 3, 4) provided. Tighten.
3. Center backing foam (item 6) onto backing plate. Remove protective paper from one side of two foam squares (item 7). Insert them through backing foam and adhere to backing plate. Extra squares are provided for next license plate replacement.

4. Thoroughly clean and dry complete license plate. Remove protective paper from exposed side of foam squares. Carefully center license plate onto backing plate. Press firmly to get good adhesion between plates and squares.

**NOTE:** Some license plates may require trimming of edges to allow them to fit inside the frame. Make sure Frame does not cover and you do not trim any important information. Trimming is easier to do before adhering to backing plate.

5. Install lens (item 8) into frame (item 9) with silkscreened side facing license. Notches in lens must be on bottom to clear threaded bosses on backing plate.
6. Install frame and lens onto backing plate tabs. Install two #8 screws and washers (items 10, 11) through bottom holes and into frame. Tighten.

**NOTE:** After installing top of frame onto tabs push lens upward with thumbs. This will allow lens to clear threaded bosses on backing plate.

### HARLEY DAVIDSON SPECIAL INSTRUCTION

FXST, FXWG Follow previous general instruction.

### FLT

Step 2. Lower mounting holes in backing plate must be redrilled 1/8" up from present location. This allows Frame to clear bottom of tourbox.

FL, FLST, FX, FXR, XL (Frame with aluminum backing plate)

Step 2. Remove upper mounting bracket. Discard bracket and hardware. Install two lower 1/4" bolts, washers and nuts (items 2, 3, 4) through frame and into license bracket. Install 3/8" long 1/4" bolt (item 5) through center hole. Install two 1/4" washers between backing plate and license bracket. Install 1/4" nut and washer (items 3, 4) onto middle bolt. Tighten all hardware.

FL, FLST, FX, FXR, XL (Frame with chrome backing plate)

Step 2. For ease of installation, carriage bolts are provided so that license frame can be completely assembled before it is installed onto motorcycle. Install two shorter carriage bolts in bottom two holes and longer one in center position. (Nuts can be installed to hold bolts in position during assembly.) Assemble License Frame as per instruction. Install completed Frame onto license bracket with supplied spacer between backing plate and license bracket in center position. Install washers and nuts (items 3, 4) onto bolts. Tighten all hardware.

### USE AND CARE:

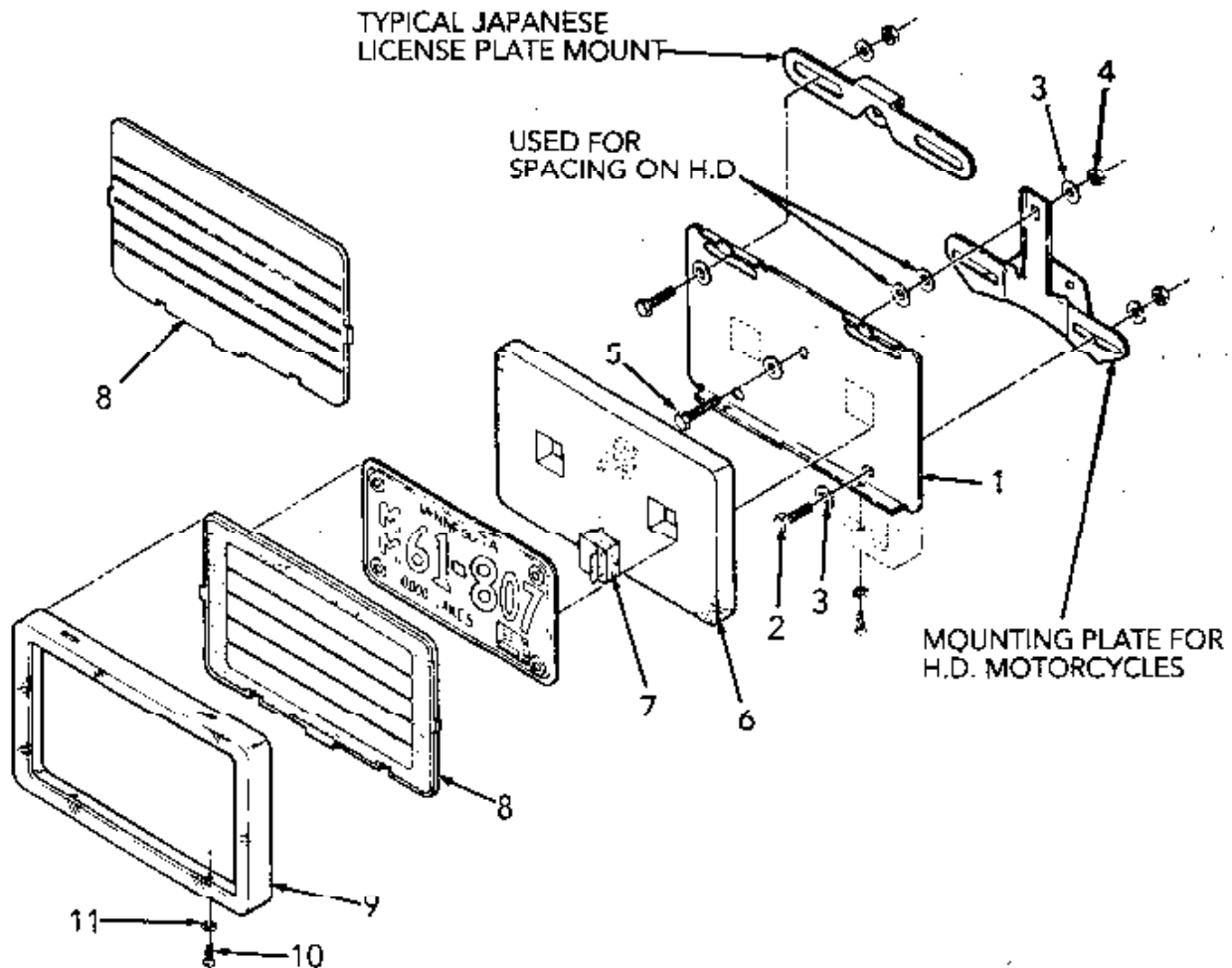
Wash your accessories with the same care you use when washing your motorcycle. Use mild detergent and water. DO NOT use harsh chemicals or abrasive cleaners. DO NOT use high pressure spray washers.

6/30/99

# EXPLODED INSTRUCTIONS

## LICENSE PLATE FRAME WITH LENS

Mfg. P/N 720155, 720156, 720160, 720170, 720175, 720176 (See pkg. label for Dist. P/N)



### BILL OF MATERIALS:

Item #	Mfg. P/N	Description	Qty.					
			720155	720156	720160	720170	720175	720176
1	720165	Backing plate, aluminum			1	1	1	1
	720157	Backing plate, chrome	1	1				
2	420425	1/4" - 20 x 1/2" bolt	2	2				
	420990	1/4" - 20 x 1/2" carriage bolt	2	2				
3	420284	1/4" flat washer	3	3	8	8	8	8
4	420104	1/4" - 20 keep nut	3	3	3	3	3	3
5	420426	1/4" - 20 x 1/2" bolt			1	1	1	1
	421000	1/4" - 20 x 1/2" carriage bolt			1	1	1	1
6	720166	Foam backing	1	1	1	1	1	1
7	720167	Adhesive foam squares (4)	1	1	1	1	1	1
8	720164	Lens w/black border & lines	1					
	720169	Lens w/silver border & lines	1					
	720163	Lens with black lines					1	
	720168	Lens with silver lines		1	1			
9	720162	Frame, black					1	1
	720161	Frame, chrome	1	1	1	1		
10	424075	8 - 32 x 1/2" screw pan phil	2	2	2	2	2	2
	420302	Spacer .12	1	1				
11	420240	#8 inside star washer	2	2	2	2	2	2