

Items Supplied >

- 1 – FRONT EXHAUST / HEATSHIELD
- 1 – REAR EXHAUST / HEATSHIELD
- 1 – EXHAUST MOUNTING BRACKET
- 1 – EXHAUST VALVE ACTUATOR BRACKET
- 1 – EXHAUST VALVE ACTUATOR SOLENOID CAM
- 4 – CLAMP, HS 24; 2 – CLAMP, HS 28
- 2 – SPACER, ALUMINUM; 2 – WASHER, ¼" FLAT
- 2 – BOLT, 6 mm x 50 mm; 2 – NUT, NYLOCK 6 mm
- 4 – BOLT, FLANGE 5/16" X 5/8"; 2 – BOLT ¼" 20 X 3/8"

Application(s) >

SUZUKI M109 06-09

Instruction Manual >

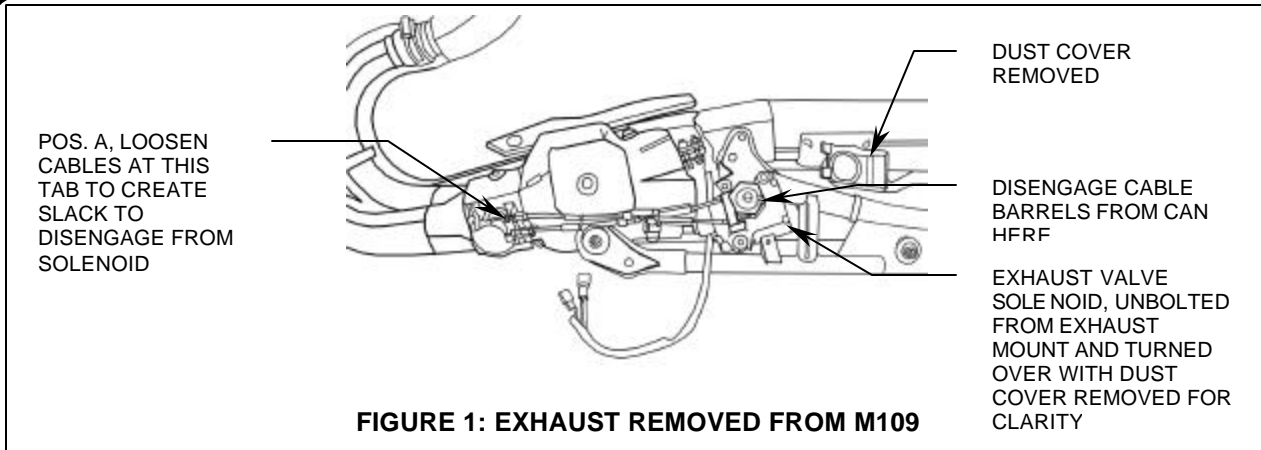
3621

Page 1 of 4

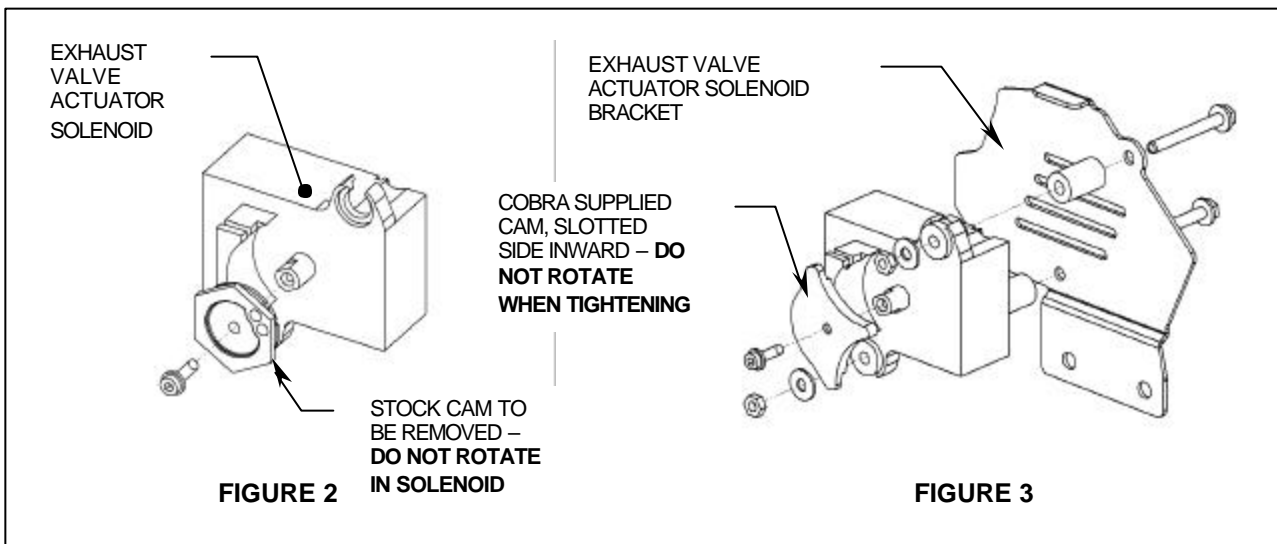
ATTENTION: READ ALL INSTRUCTIONS CAREFULLY AND COMPLETELY BEFORE INSTALLING YOUR NEW EXHAUST SYSTEM, AVOIDING TO DO SO MAY RESULT IN DAMAGE TO YOUR MOTORCYCLES COMPONENTS. PRIOR TO INSTALLATION, MAKE SURE YOUR STOCK HEADPIPE GASKETS ARE IN GOOD CONDITION. IF YOU HAVE ANY DOUBTS AS TO THEIR CONDITION, REPLACE THEM.

1. Remove the seat and right side fairing cover (with M109 insignia), behind the fuel tank. To remove the fairing, release the plastic peg on top by pushing the center inward and pulling the fairing upwards until the peg releases, remove the M6 button head bolt at the bottom of the fairing. Pull the fairing outward from the rear and upward near the plastic peg to release it. Once it is free from all plastic pegs pull it forward to release it from the bottom of the fuel tank.
2. Remove the right side cover above the exhaust-mounting bracket secured by one M6 button head bolt, retain bolt for later. Remove the chrome steel cover above the exhaust secured by two remaining bolts, (this chrome piece will no longer be used.) Remove the large left rear rubber grommet and flanged steel collar from this chrome piece, to do this press the steel collar out of the rubber grommet first, once the collar is removed push the rubber grommet out of the wire loop on the chrome piece, set collar and grommet aside for later use.
3. Locate the exhaust valve actuator solenoid and harness and disconnect the black 3-prong electrical connector and white 2-prong electrical connector.
4. Remove the socket head bolts securing exhaust flanges to cylinder heads, set these fasteners aside for later use in reassembly. Support the weight of the exhaust system and remove the 2, 8 mm bolts and one 8 mm nut securing the exhaust mounting bracket and exhaust assembly. Keep these fasteners for use later. Remove the stock exhaust system as one complete unit; this includes the stock exhaust bracket, headpipes and muffler, exhaust valve actuator solenoid and cables.
5. The exhaust valve actuator solenoid must now be removed from the stock exhaust-mounting bracket. To perform this, loosen the two nuts securing each cable to the exhaust valve cable-mounting tab, Position A in Figure 1. Make enough slack in the cables so that the ends of the cables' threaded sheath may be disengaged from the end of the mounting tab. Now remove the two M6 hex head bolts securing the solenoid to the stock exhaust bracket. **The stock exhaust mounting bracket, headpipes and muffler and exhaust valve solenoid cables will not be used anymore with the your new Cobra Exhaust System.**

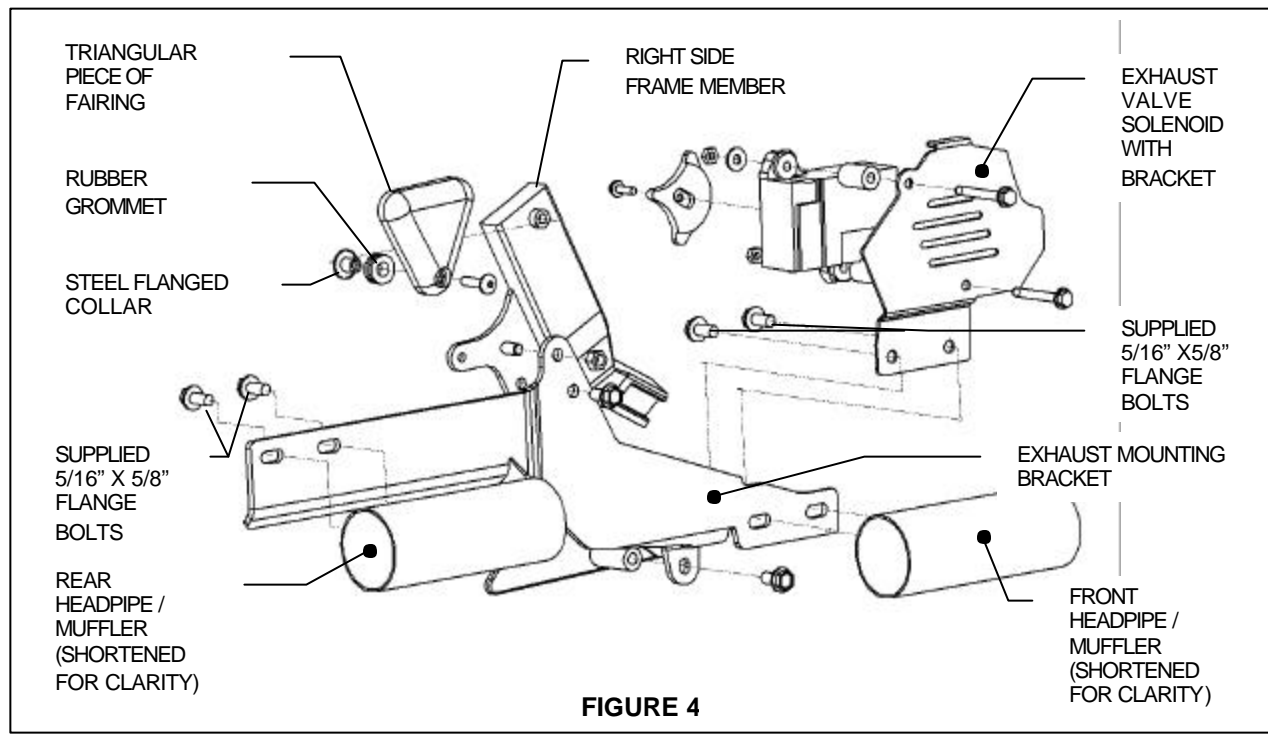
** Cobra recommends you always wear a helmet while riding. Please never operate your motorcycle while under the influence of alcohol and/or drugs. Enjoy the new look of your motorcycle and please ride safely.*



6. Remove the dust cover from the solenoid to expose the rotating cam and cables. **DO NOT TRY TO ROTATE THE CAM RELATIVE TO THE ACTUATOR SOLENOID TO REMOVE THE CABLES; DOING SO MAY DAMAGE THE INTERNAL COMPONENTS OF THE SOLENOID.** To remove the cables from the cam, use the slack in the cables obtained in Step 5 to disengage the cable barrels from the cam, see Figure 2.
7. Now prepare the exhaust valve actuator solenoid for reuse. **SECURELY HOLD THE CAM TO PREVENT IT FROM ROTATING IN THE SOLENOID. WHILE PREVENTING THE CAM FROM ROTATING,** remove the 10 – 32 flange bolt securing it, see Figure 3. Replace the cam with the Cobra supplied cam, **BE SURE TO PREVENT THE CAM FROM ROTATING WHEN REINSTALLING THE BOLT, OTHERWISE DAMAGE MAY OCCUR TO THE SOLENOID,** see Figure 3. Torque to factory specifications.
8. After installing the cam preassemble the exhaust valve solenoid with the supplied Cobra parts as shown in Figure 3. Insert the two supplied M6 x 50 mm bolts through the supplied exhaust valve actuator bracket, aluminum spacers, solenoid, supplied flat washers, and supplied M6 lock nut. Once the assembly is complete and bolts are tightened set aside for later installation.
9. Loosen the right footpeg assembly and move it out of the way to help ease exhaust installation.



10. Install the rear Cobra head pipe / muffler into the rear head using the stock socket head bolts, but leave the bolts loose to allow the muffler to swing outward away from the swingarm. Be sure the exhaust gasket is in place. Place the supplied exhaust-mounting bracket onto the existing stud in the right side frame member, see Figure 4. Align exhaust mounting bracket with rear head pipe so that two 5/16" flange bolts may be installed but **do not tighten at this time**. Now install the stock 8 mm nut and two original 8 mm flange bolts into the exhaust bracket but **do not tighten at this time**.
11. Install the front headpipe / muffler into the front head using stock socket head bolts, but **do not tighten**. Be sure the exhaust gasket is in place. Now, mate the preassembled exhaust valve solenoid and bracket to the inside of the exhaust-mounting bracket, use two 5/16" flange bolts to secure the solenoid bracket, exhaust mounting bracket and front headpipe / muffler to each other, see Figure 4, but **do not tighten**. Tighten the exhaust mounting bracket's 8 mm nut and 8 mm bolts to factory specifications. Reconnect the black 3-prong connector and white 2-prong connector to the exhaust valve solenoid.
12. Make sure the front and rear exhaust assemblies are parallel to each other, then tighten the following in order: head pipe flanges to the motor (slowly tighten opposing socket head bolt), and front and rear exhaust assembly to the exhaust bracket.
13. Reinstall the small plastic fairing above the exhaust mounting bracket, and secure with M6 button head bolt. Reinstall the right side fairing removed in Step 1. Use the steel flanged collar and rubber grommet removed in Step 2 to space the triangular shaped piece of the fairing (with M109 insignia), away from the frame, press the steel collar back into the large rubber grommet, the larger face of the steel collar must face inward against the frame, secure the fairing with the stock M6 button head bolt, see Figure 4. Reinstall the seat once all body panels have been secured in place.



14. On the front and rear heatshields unscrew the remaining hose clamps and feed the tail end of the clamp through the clips on the inside. The screw end of the hose clamps should be accessible for tightening but not visible when the heatshields are mounted to the pipes.
15. To install the front heatshield, first slide the rear portion of the heatshields over the muffler, continue to slowly slide it forward pushing the front of the shield gently into place between the frame and engine (Hint: Spread the hose clamps apart slightly to make it easier to slide them over the rear of the exhaust and head pipe area.) Snug the heatshield clamps but do not tighten. Install the rear heatshield the same way as the front heatshield.
16. Install one billet tip on each heatshield making sure the ends of the tips are parallel with each other. Fasten the tips with the supplied ¼" x 20 buttonhead screws making sure they snug up against the heatshield leaving no gap between the tip and heatshield when tightened. **If it is difficult to slide the tips into the heatshields loosen the clamps on the heatshield and adjust until aligned, avoiding this may cause damage to the chrome tips.**
17. Tighten the clamps on the heatshields. Reinstall the right footpeg assembly with the stock bolts and tighten to factory specifications. Make sure all the components (brackets, headpipes, heatshields, and tips) have been tightened appropriately and cleaned before starting the motorcycle.

IMPORTANT: Cobra highly recommends using a Fi2000 Fuel Management System to help eliminate lean conditions and popping sounds. Cobra Part# 92-0845 for Fi2000 & 92-1845 for Fi2000R

Before starting your engine remove all fingerprints from chrome with a quality wax or chrome polish.