

Items Supplied >

- 1 – Freeway Bar Assembly
- 1 – M10 X 25mm Hex Head Bolt
- 4 – 5/16" x 3/4" Hex Bolts
- 4 – 5/16" Hex Nuts
- 4 – 5/16" Lock Washers

Application >

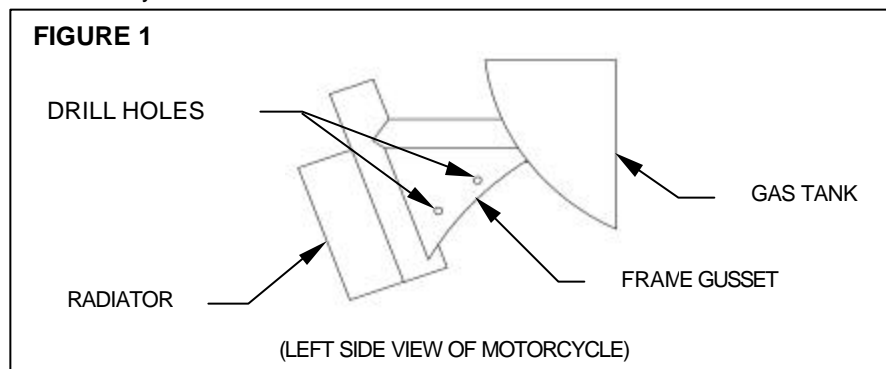
VT1100 SPIRIT 97-07

Instruction Manual >

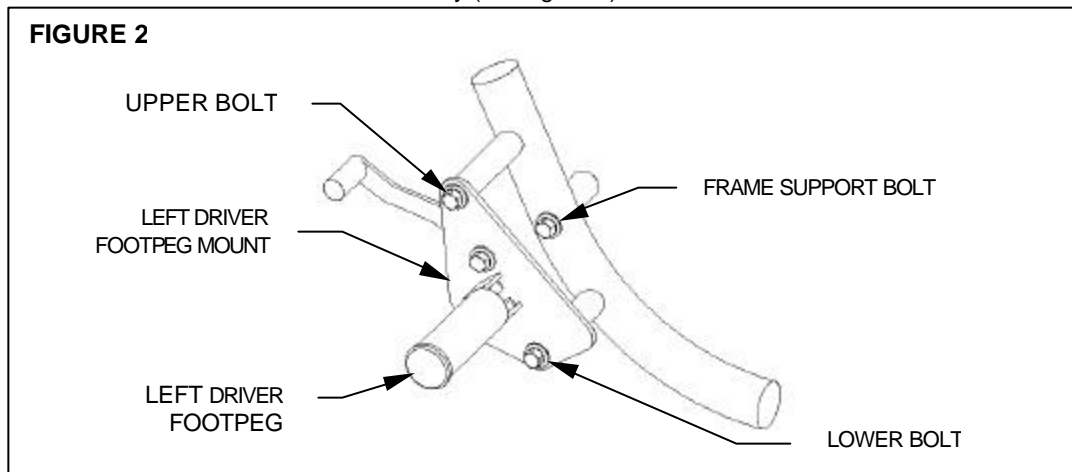
01-1121

Page 1 of 2

1. Remove gas tank and front frame covers.
2. Drill the two existing holes in the left frame gusset using a 5/16" drill bit (see figure 1). Repeat this step on the right side of the motorcycle.

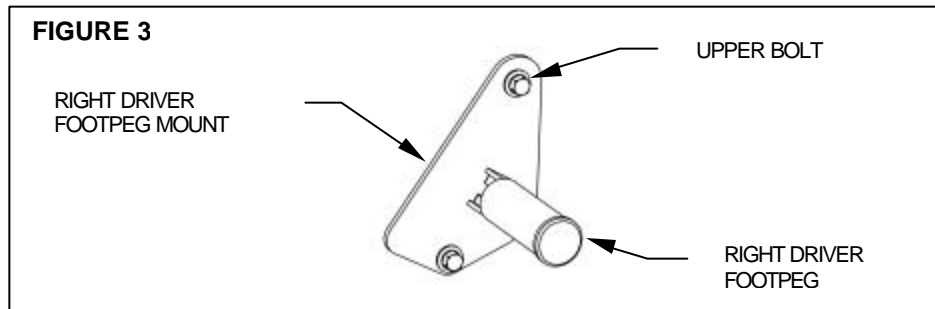


3. Remove the lower bolt from the left driver footpeg mount and set aside for reassembly (see figure 2).
4. Loosen the upper bolt and swing the left driver footpeg mount out of the way so the lower frame support bolt can be removed and set aside for reassembly (see figure 2).



* Cobra recommends you always wear a helmet while riding. Please never operate your motorcycle while under the influence of alcohol and/or drugs. Enjoy the new look of your motorcycle and please ride safely.

4. Remove the upper bolt from the drivers right footpeg mount (see figure 3).



5. Align the freeway bar's top mounts with the holes drilled in the frame gussets. Then install the supplied 5/16" bolts through the freeway bar; gusset, supplied lock washers and finger tighten the nuts from the backside of the gusset.
6. Align the right lower freeway bar mount with the right driver footpeg mount upper bolthole. Then install the supplied M10 X 25mm bolt through the freeway bar and finger tighten into the right driver footpeg mount upper hole (see figure 3).
7. Align the left lower freeway bar mount with the frame support bolthole. Then install the stock bolt, removed in step 3, through the freeway bar and into the frame support (see figure 2). Torque the bolt to factory settings.
8. Reinstall the lower bolt-removed in step 3 into the left driver footpeg mount.
9. Re-install front frame covers and gas tank.
10. Torque all installed bolts and nuts to appropriate values.

Cobra Freeway Bars add style to your motorcycle. They are not designed to withstand a serious impact and may not protect you and/or your motorcycle in the event of a crash.